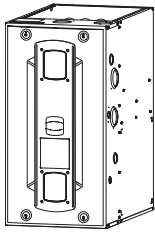


S9V2-VS – Two Stage ECM Variable Speed

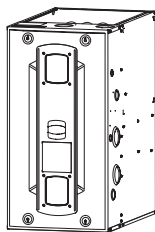
Table FUR-1-A – S9V2-VS Variable Speed, 2 Stage, Direct/Non-Direct Vent, Upflow/Horizontal Left/Horizontal Right Condensing Gas Furnace with Variable Speed Draft Inducer (120/1/60)③



**S9V2-VS
Direct Vent
Upflow**

| Unit Model Number | Airflow In Tons | Output (Btuh) | | ICS① AFUE | Flue Size (in) | Ignition Device | Uncrated Dimensions (in.) H x W x D | Shipping Weight (lbs.) | Max Fuse* | Filter Sizes** |
|-------------------|-----------------|---------------|---------|-----------|----------------|-----------------|--|------------------------|-----------|----------------|
| | | Stage 2 | Stage 1 | | | | | | | |
| S9V2B040U3VSAD | 3 | 39,141 | 25,639 | 97.0② | 2, 3, 4 | ④ | 34 x 17 ¹ / ₂ x 28 ³ / ₄ | 122 | 15 | 16 x 25 x 1 |
| S9V2B060U3VSAD | 3 | 57,838 | 38,271 | 97.0② | 2, 3, 4 | ④ | 34 x 17 ¹ / ₂ x 28 ³ / ₄ | 127 | 15 | 16 x 25 x 1 |
| S9V2B080U4VSAD | 4 | 78,400 | 50,960 | 97.0② | 2, 3, 4 | ④ | 34 x 17 ¹ / ₂ x 28 ³ / ₄ | 135 | 15 | 16 x 25 x 1 |
| S9V2C100U4VSAD | 4 | 96,362 | 64,036 | 97.0② | 2, 3, 4 | ④ | 34 x 21 x 28 ³ / ₄ | 154 | 15 | 20 x 25 x 1 |
| S9V2D120U5VSAD | 5 | 113,145 | 76,668 | 97.0② | 3, 4 | ④ | 34 x 24 ¹ / ₂ x 28 ³ / ₄ | 167 | 15 | 24 x 25 x 1 |

Table FUR-1-B – S9V2-VS Variable Speed, 2 Stage, Direct/Non-Direct Vent, Downflow Condensing Gas Furnace with Variable Speed Draft Inducer (120/1/60)③



**S9V2-VS
Direct Vent
Downflow**

| Unit Model Number | Airflow In Tons | Output (Btuh) | | ICS① AFUE | Flue Size (in) | Ignition Device | Uncrated Dimensions (in.) H x W x D | Shipping Weight (lbs.) | Max Fuse* | Filter Sizes** |
|-------------------|-----------------|---------------|---------|-----------|----------------|-----------------|--|------------------------|-----------|----------------|
| | | Stage 2 | Stage 1 | | | | | | | |
| S9V2B080D4VSAD | 4 | 78,400 | 50,960 | 97.0② | 2, 3, 4 | ④ | 34 x 17 ¹ / ₂ x 28 ³ / ₄ | 135 | 15 | (2)14 x 20 x 1 |
| S9V2C100D4VSAD | 4 | 95,833 | 63,950 | 97.0② | 2, 3, 4 | ④ | 34 x 21 x 28 ³ / ₄ | 154 | 15 | (2)16 x 20 x 1 |

Note: Variable speed furnaces should not be twinned and are not approved for twinning applications.

① Isolated Combustion System. AFUE may vary based on poise.

② Energy Star®.

③ Direct drive variable speed motor is an ECM constant airflow blower motor.

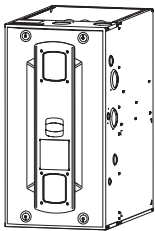
④ Silicon Nitride Igniter.

* Information subject to change. Please confirm with current Product Data/Service Facts for current factory production.

** Filters are not shipped with furnace. For Upflow furnaces, the size is for a bottom return filter.

S9V2 – Two Stage ECM Variable Speed

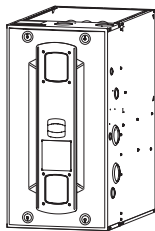
Table FUR-1-C – S9V2 Variable Speed, 2 Stage, Direct/Non-Direct Vent, Upflow/Horizontal Left/Horizontal Right Condensing Gas Furnace (120/1/60)③



**S9V2
Direct Vent
Upflow**

| Unit Model Number | Airflow In Tons | Output (Btuh) | | ICS① AFUE | Flue Size (in) | Ignition Device | Uncrated Dimensions (in.) H x W x D | Shipping Weight (lbs.) | Max Fuse* | Filter Sizes** |
|-------------------|-----------------|---------------|---------|-----------|----------------|-----------------|--|------------------------|-----------|----------------|
| | | Stage 2 | Stage 1 | | | | | | | |
| S9V2B040U3PSBD | 3 | 38,800 | 25,220 | 96.0② | 2, 3, 4 | ④ | 34 x 17 ¹ / ₂ x 28 ³ / ₄ | 122 | 15 | 16 x 25 x 1 |
| S9V2B060U4PSBD | 4 | 58,200 | 37,830 | 96.0② | 2, 3, 4 | ④ | 34 x 17 ¹ / ₂ x 28 ³ / ₄ | 130 | 15 | 16 x 25 x 1 |
| S9V2B080U4PSBD | 4 | 77,600 | 50,440 | 96.0② | 2, 3, 4 | ④ | 34 x 17 ¹ / ₂ x 28 ³ / ₄ | 135 | 15 | 16 x 25 x 1 |
| S9V2C080U5PSBD | 5 | 77,600 | 50,440 | 96.0② | 2, 3, 4 | ④ | 34 x 21 x 28 ³ / ₄ | 149 | 15 | 20 x 25 x 1 |
| S9V2C100U5PSBD | 5 | 97,000 | 63,050 | 96.0② | 2, 3, 4 | ④ | 34 x 21 x 28 ³ / ₄ | 155 | 15 | 20 x 25 x 1 |
| S9V2D120U5PSBD | 5 | 116,400 | 75,660 | 96.0② | 3, 4 | ④ | 34 x 24 ¹ / ₂ x 28 ³ / ₄ | 167 | 15 | 24 x 25 x 1 |

Table FUR-1-D – S9V2 Variable Speed, 2 Stage, Direct/Non-Direct Vent, Downflow Condensing Gas Furnace (120/1/60)③



**S9V2
Direct Vent
Downflow**

| Unit Model Number | Airflow In Tons | Output (Btuh) | | ICS① AFUE | Flue Size (in) | Ignition Device | Uncrated Dimensions (in.) H x W x D | Shipping Weight (lbs.) | Max Fuse* | Filter Sizes** |
|-------------------|-----------------|---------------|---------|-----------|----------------|-----------------|--|------------------------|-----------|----------------|
| | | Stage 2 | Stage 1 | | | | | | | |
| S9V2B040D3PSBD | 3 | 38,800 | 25,220 | 96.0② | 2, 3, 4 | ④ | 34 x 17 ¹ / ₂ x 28 ³ / ₄ | 122 | 15 | (2)14 x 20 x 1 |
| S9V2B060D3PSBD | 3 | 58,200 | 37,830 | 96.0② | 2, 3, 4 | ④ | 34 x 17 ¹ / ₂ x 28 ³ / ₄ | 127 | 15 | (2)14 x 20 x 1 |
| S9V2B080D4PSBD | 4 | 77,600 | 50,440 | 96.0② | 2, 3, 4 | ④ | 34 x 17 ¹ / ₂ x 28 ³ / ₄ | 135 | 15 | (2)14 x 20 x 1 |
| S9V2C100D5PSBD | 5 | 97,000 | 63,050 | 96.0② | 2, 3, 4 | ④ | 34 x 21 x 28 ³ / ₄ | 155 | 15 | (2)16 x 20 x 1 |
| S9V2D120D5PSBD | 5 | 116,400 | 75,660 | 96.0② | 3, 4 | ④ | 34 x 24 ¹ / ₂ x 28 ³ / ₄ | 167 | 15 | (2)16 x 20 x 1 |

Note: Variable speed furnaces should not be twinned and are not approved for twinning applications.

① Isolated Combustion System. AFUE may vary based on poise.

② Energy Star®.

③ Direct drive variable speed motor is an ECM constant airflow blower motor.

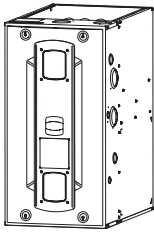
④ Silicon Nitride Igniter.

* Information subject to change. Please confirm with current Product Data/Service Facts for current factory production.

** Filters are not shipped with furnace. For Upflow furnaces, the size is for a bottom return filter.

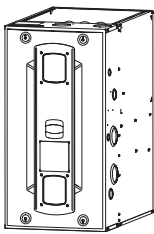
S9X2 – Two Stage High Efficiency ECM

Table FUR-2-A – S9X2 High Efficiency 9 Speed ECM Motor, 2 Stage, Direct/Non-Direct Vent, Upflow/Horizontal Left/Horizontal Right Condensing Gas Furnace (120/1/60)ⓐ



**S9X2
Direct Vent
Upflow**

| Unit Model Number | Airflow In Tons | Output (Btuh) | | ICS [ⓐ] AFUE | Flue Size (in) | Ignition Device | Uncrated Dimensions (in.) H x W x D | Shipping Weight (lbs.) | Max Fuse* | Filter Sizes** |
|-------------------|-----------------|---------------|---------|-----------------------|----------------|-----------------|--|------------------------|-----------|----------------|
| | | Stage 2 | Stage 1 | | | | | | | |
| S9X2B040U3PSBA | 3 | 38,800 | 25,220 | 96.0 [ⓐ] | 2, 3, 4 | ④ | 34 x 17 ¹ / ₂ x 28 ³ / ₄ | 122 | 15 | 16 x 25 x 1 |
| S9X2B060U4PSBA | 4 | 58,200 | 37,830 | 96.0 [ⓐ] | 2, 3, 4 | ④ | 34 x 17 ¹ / ₂ x 28 ³ / ₄ | 130 | 15 | 16 x 25 x 1 |
| S9X2B080U4PSBA | 4 | 77,600 | 50,440 | 96.0 [ⓐ] | 2, 3, 4 | ④ | 34 x 17 ¹ / ₂ x 28 ³ / ₄ | 135 | 15 | 16 x 25 x 1 |
| S9X2C080U5PSBA | 5 | 77,600 | 50,440 | 95.0 [ⓐ] | 2, 3, 4 | ④ | 34 x 21 x 28 ³ / ₄ | 149 | 15 | 20 x 25 x 1 |
| S9X2C100U5PSBA | 5 | 97,000 | 63,050 | 96.0 [ⓐ] | 2, 3, 4 | ④ | 34 x 21 x 28 ³ / ₄ | 155 | 15 | 20 x 25 x 1 |
| S9X2D120U5PSBA | 5 | 116,400 | 75,660 | 96.0 [ⓐ] | 3, 4 | ④ | 34 x 24 ¹ / ₂ x 28 ³ / ₄ | 167 | 15 | 24 x 25 x 1 |



**S9X2
Direct Vent
Downflow**

Table FUR-2-B – S9X2 High Efficiency 9 Speed ECM Motor, 2 Stage, Direct/Non-Direct Vent, Downflow Condensing Gas Furnace (120/1/60)ⓐ

| Unit Model Number | Airflow In Tons | Output (Btuh) | | ICS [ⓐ] AFUE | Flue Size (in) | Ignition Device | Uncrated Dimensions (in.) H x W x D | Shipping Weight (lbs.) | Max Fuse* | Filter Sizes** |
|-------------------|-----------------|---------------|---------|-----------------------|----------------|-----------------|--|------------------------|-----------|----------------|
| | | Stage 2 | Stage 1 | | | | | | | |
| S9X2B040D3PSBA | 3 | 38,800 | 25,220 | 96.0 [ⓐ] | 2, 3, 4 | ④ | 34 x 17 ¹ / ₂ x 28 ³ / ₄ | 122 | 15 | (2)14 x 20 x 1 |
| S9X2B060D3PSBA | 3 | 58,200 | 37,830 | 95.0 [ⓐ] | 2, 3, 4 | ④ | 34 x 17 ¹ / ₂ x 28 ³ / ₄ | 127 | 15 | (2)14 x 20 x 1 |
| S9X2B080D4PSBA | 4 | 77,600 | 50,440 | 96.0 [ⓐ] | 2, 3, 4 | ④ | 34 x 17 ¹ / ₂ x 28 ³ / ₄ | 135 | 15 | (2)14 x 20 x 1 |
| S9X2C100D5PSBA | 5 | 97,000 | 63,050 | 95.0 [ⓐ] | 2, 3, 4 | ④ | 34 x 21 x 28 ³ / ₄ | 155 | 15 | (2)16 x 20 x 1 |
| S9X2D120D5PSBA | 5 | 116,400 | 75,660 | 96.0 [ⓐ] | 3, 4 | ④ | 34 x 24 ¹ / ₂ x 28 ³ / ₄ | 167 | 15 | (2)16 x 20 x 1 |

ⓐ Isolated Combustion System. AFUE may vary based on poise.

ⓑ Energy Star®.

ⓒ Direct drive 9 speed motor is a high efficiency constant torque ECM blower motor.

ⓓ Silicon Nitride Igniter.

* Information subject to change. Please confirm with current Product Data/Service Facts for current factory production.

** Filters are not shipped with furnace. For Upflow furnaces, the size is for a bottom return filter.

Table FUR-2-C – High Altitude Pressure Switch S9V2-VS 90% Furnaces

| Model Number | Description | Used With | Shipping Weight |
|--------------|-------------|---|-----------------|
| BAYHALT250 | 2 Switches | S9V2B040U3VSA | 2 |
| BAYHALT251 | 2 Switches | S9V2B060U3VSA | 2 |
| BAYHALT252 | 2 Switches | S9V2B080U4VSA, S9V2B080D4VSA, S9V2C100D4VSA | 2 |
| BAYHALT253 | 2 Switches | S9V2C100U4VSA | 2 |
| BAYHALT254 | 2 Switches | S9V2D120U5VSA | 2 |



Convertible Gas Furnaces

Furnaces

Table FUR-3-A – Features

| | S9V2-VS Variable Speed | S9V2 Variable Speed | S9X2 Multi-Speed |
|---|---------------------------|------------------------|---------------------|
| • Direct drive, variable speed ECM blower motor - Constant airflow ECM (electronically commutated motor)..... | ✓ | ✓ | — |
| • Direct drive, multi speed ECM blower motor - Constant torque ECM (electronically commutated motor) | — | — | ✓ |
| • Variable speed draft inducer motor..... | ✓ | ✓ | ✓ |
| • Comfort-R™ enhanced mode (cooling) | ✓ | — | — |
| • Standard 34" height..... | ✓ | ✓ | ✓ |
| • 3 Way poise Upflow furnace model (Upflow, Horizontal Left, Horizontal Right)..... | ✓ | ✓ | ✓ |
| • Dedicated Downflow furnace model..... | ✓ | ✓ | ✓ |
| • Front service access with easily accessible burners, sensors, orifices, switches, and other components | ✓ | ✓ | ✓ |
| • Cabinet has no knockouts - Rubber and plastic plugs come installed from factory | ✓ | ✓ | ✓ |
| • Gas can enter either side of cabinet..... | ✓ | ✓ | ✓ |
| • Condensate can exit either side of cabinet in Upflow orientation..... | ✓ | ✓ | ✓ |
| • Multiple venting options - Every model, every size will offer two venting options..... | ✓ | ✓ | ✓ |
| • Integrated Furnace Control board with digital configuration, status, and fault codes | ✓ | ✓ | ✓ |
| • Alpha-numeric diagnostic codes | ✓ | ✓ | ✓ |
| • Dry contact Humidifier/EAC hook-up capability..... | ✓ | ✓ | ✓ |
| • Adjustable blower off delay for heating and cooling..... | ✓ | ✓ | ✓ |
| • Last six fault codes are stored (even with power loss)..... | ✓ | ✓ | ✓ |
| • Stainless steel primary and secondary heat exchanger tubes | ✓ | ✓ | ✓ |
| • Longer IFC wire harnesses allow door to be removed without disconnecting the harness..... | ✓ | ✓ | ✓ |
| • Alternate bottom/left/right return air (upflow models only)..... | ✓ | ✓ | ✓ |
| • Bottom panel..... | ✓ | ✓ | ✓ |
| • Dual PVC pipe venting (1 or 2 pipe option)..... | ✓ | ✓ | ✓ |
| • Two stage combination gas valve and regulator | ✓ | ✓ | ✓ |
| • Gasketed inner and outer door | ✓ | ✓ | ✓ |
| • Heavy gauge reinforced wrap-around steel cabinet | ✓ | ✓ | ✓ |
| • Insulated blower compartment | ✓ | ✓ | ✓ |
| • Left/right condensate drain capability in vertical application | ✓ | ✓ | ✓ |
| • Service diagnostics with faults reported on IFC board | ✓ | ✓ | ✓ |
| • Manual reset flame roll out switches..... | ✓ | ✓ | ✓ |
| • Mobile home approved with mobile home kit..... | ✓ | ✓ | ✓ |
| • Multi-port in shot burners | ✓ | ✓ | ✓ |
| • Service diagnostic capabilities | ✓ | ✓ | ✓ |
| • Vortica™ II blower housing | ✓ | ✓ | ✓ |
| • Slide out blower assembly on full-length rails..... | ✓ | ✓ | ✓ |
| • Side return duct starter tabs (upflow models only)..... | ✓ | ✓ | ✓ |
| • Silicon Nitride 120V hot surface igniter | ✓ | ✓ | ✓ |
| • Multiple heating blower speeds..... | ✓ | ✓ | ✓ |
| • Meets requirements for 1% or less air leakage..... | ✓ | ✓ | ✓ |
| • Limited lifetime heat exchanger warranty & 10-year on all other functional parts with registration (Residential Use) | ✓ | ✓ | ✓ |
| • Optional extended warranties available | ✓ | ✓ | ✓ |

Note: Variable speed furnaces should not be twinned and are not approved for twinning applications.

* Registered Limited Warranty terms are available when you register within 60 days of installation. You can register online at Trane.com or by phone at 855-260-2975, otherwise Trane's Base Limited Warranty terms will apply. Base Limited Warranty information on specific products can be found on ComfortSite.com.

Table FUR-3-B – Optional Accessories

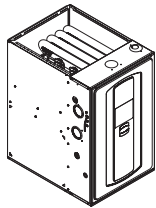
| Model Number | Description | Shipping Weight | S9V2-VS Variable Speed | S9V2 Variable Speed | S9X2 Multi-Speed |
|-----------------------|--|-----------------|---------------------------|------------------------|---------------------|
| AYLPSS400C | LP Kit with Stainless Steel Burners..... | 3..... | ✓ | ✓ | ✓ |
| BAYHANG | Horizontal hanging kit | 2..... | ✓ | ✓ | ✓ |
| BAYVENT200B..... | Sidewall vent Termination Kit fo Direct vent furnaces | 2..... | ✓ | ✓ | ✓ |
| BAYVENTCN200B | Sidewall vent Termination Kit fo Direct vent furnaces for Canadian applications .. | 2..... | ✓ | ✓ | ✓ |
| BAYAIR30AVENTA | Concentric vent kit for 2, 2½ and 3" vent system..... | 11..... | ✓ | ✓ | ✓ |
| BAYAIR30CNVENT | Concentric vent kit for 2, 2½ and 3" vent system for Canadian applications..... | 11..... | ✓ | ✓ | ✓ |
| BAYREDUCE | Reducer Coupling for Canadian applications (CPVC) | 1..... | ✓ | ✓ | ✓ |
| BAYLIFTB..... | Dual return kit. B size extension..... | 8..... | ✓ | ✓ | ✓ |
| BAYLIFTC | Dual return kit. C size extension..... | 9..... | ✓ | ✓ | ✓ |
| BAYLIFTD | Dual return kit. D size extension..... | 9..... | ✓ | ✓ | ✓ |
| BAYMFGH200B..... | Manufactured/mobile home kit | 1..... | ✓ | ✓ | ✓ |
| BAYCNDTRAP2A..... | In-line condensate collector for 2" PVC pipe | 1..... | ✓ | ✓ | ✓ |
| BAYCNDTRAP3A..... | In-line condensate collector for 3" PVC pipe | 1..... | ✓ | ✓ | ✓ |
| BAYBASE205..... | Downflow subbase | 8..... | ✓ | ✓ | ✓ |
| BAYFLTR206..... | Filter Access Door Kit (Downflow only) | 2..... | ✓ | ✓ | ✓ |
| MAYBFERCOLKITA ①..... | Heat Shield, B size cabinet..... | 3..... | ✓ | ✓ | ✓ |
| MAYCFERCOLKITA ①..... | Heat Shield, C size cabinet..... | 3..... | ✓ | ✓ | ✓ |
| MAYDFERCOLKITA ①..... | Heat Shield, D size cabinet..... | 3..... | ✓ | ✓ | ✓ |
| BAYSF1165..... | 16x20 1" side return filter rack | | ✓ | ✓ | ✓ |
| BAYSF1255..... | 16x25 1" side return filter rack (bottom return for 17.5" cabinets)..... | | ✓ | ✓ | ✓ |
| BAYBURNERSS..... | Stainless steel natural gas burner kit..... | | ✓ | ✓ | ✓ |

① Required on furnaces manufactured on or after 7/3/19 (with date code 19273 or after) when installed with a 4MXC or 4GXC coils in upflow or horizontal position. Not required in Downflow orientation.

For complete equipment / combination selections, installation instructions and warranty information, please refer to Product Data/Ratings and/or Installers Guides and Limited Warranty Handbooks.

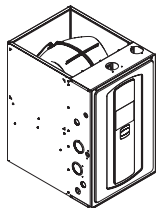
S9X1 – Single Stage High Efficiency ECM

Table FUR-4-A – S9X1 High Efficiency 9 Speed ECM Motor, 1 Stage, Direct/Non-Direct Vent, Upflow/Horizontal Left/Horizontal Right Condensing Gas Furnace (120/1/60)Ⓢ



**S9X1
Direct Vent
Upflow**

| Unit Model Number | Airflow In Tons | Nominal Output (Btuh) | ICS ^① AFUE | Flue Size (in) | Ignition Device | Uncrated Dimensions (in.) H x W x D | Shipping Weight (lbs.) | Max Fuse* | Filter Sizes** |
|-------------------|-----------------|-----------------------|-----------------------|----------------|-----------------|--|------------------------|-----------|----------------|
| S9X1B040U3PSBA | 3 | 39,000 | 96.0 ^② | 2, 3, 4 | ④ | 34 x 17 ¹ / ₂ x 28 ³ / ₄ | 122 | 15 | 16 x 25 x 1 |
| S9X1B060U4PSBA | 4 | 58,300 | 96.0 ^② | 2, 3, 4 | ④ | 34 x 17 ¹ / ₂ x 28 ³ / ₄ | 130 | 15 | 16 x 25 x 1 |
| S9X1B080U4PSBA | 4 | 77,200 | 96.0 ^② | 2, 3, 4 | ④ | 34 x 17 ¹ / ₂ x 28 ³ / ₄ | 135 | 15 | 16 x 25 x 1 |
| S9X1C080U5PSBA | 5 | 77,800 | 96.0 ^② | 2, 3, 4 | ④ | 34 x 21 x 28 ³ / ₄ | 149 | 15 | 20 x 25 x 1 |
| S9X1C100U5PSBA | 5 | 97,400 | 95.0 ^② | 2, 3, 4 | ④ | 34 x 21 x 28 ³ / ₄ | 155 | 15 | 20 x 25 x 1 |
| S9X1D120U5PSBA | 5 | 113,400 | 95.0 ^② | 3, 4 | ④ | 34 x 24 ¹ / ₂ x 28 ³ / ₄ | 167 | 15 | 24 x 25 x 1 |



**S9X1
Direct Vent
Downflow**

Table FUR-4-B – S9X1 High Efficiency 9 Speed ECM Motor, 1 Stage, Direct/Non-Direct Vent, Downflow Condensing Gas Furnace (120/1/60)Ⓢ

| Unit Model Number | Airflow In Tons | Nominal Output (Btuh) | ICS ^① AFUE | Flue Size (in) | Ignition Device | Uncrated Dimensions (in.) H x W x D | Shipping Weight (lbs.) | Max Fuse* | Filter Sizes** |
|-------------------|-----------------|-----------------------|-----------------------|----------------|-----------------|--|------------------------|-----------|----------------|
| S9X1B040D3PSBA | 3 | 38,900 | 96.0 ^② | 2, 3, 4 | ④ | 34 x 17 ¹ / ₂ x 28 ³ / ₄ | 122 | 15 | (2)14 x 20 x 1 |
| S9X1B060D3PSBA | 3 | 57,600 | 96.0 ^② | 2, 3, 4 | ④ | 34 x 17 ¹ / ₂ x 28 ³ / ₄ | 127 | 15 | (2)14 x 20 x 1 |
| S9X1B080D4PSBA | 4 | 76,900 | 95.0 ^② | 2, 3, 4 | ④ | 34 x 17 ¹ / ₂ x 28 ³ / ₄ | 135 | 15 | (2)14 x 20 x 1 |
| S9X1C100D5PSBA | 5 | 96,800 | 96.0 ^② | 2, 3, 4 | ④ | 34 x 21 x 28 ³ / ₄ | 155 | 15 | (2)16 x 20 x 1 |
| S9X1D120D5PSBA | 5 | 115,500 | 95.0 ^② | 3, 4 | ④ | 34 x 24 ¹ / ₂ x 28 ³ / ₄ | 167 | 15 | (2)16 x 20 x 1 |

① Isolated Combustion System. AFUE may vary based on poise.

② Energy Star®.

③ Direct drive 9 speed motor is a high efficiency constant torque ECM blower motor.

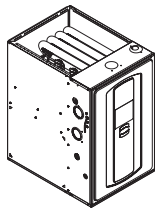
④ Silicon Nitride Igniter.

* Information subject to change. Please confirm with current Product Data/Service Facts for current factory production.

** Filters are not shipped with furnace. For Upflow furnaces, the size is for a bottom return filter.

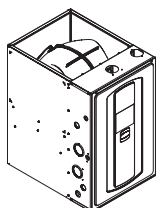
S9B1 – Single Stage High Efficiency ECM

Table FUR-4-C – S9B1 High Efficiency 9 Speed ECM Motor, 1 Stage, Direct/Non-Direct Vent, Upflow/Horizontal Left/Horizontal Right Condensing Gas Furnace (120/1/60)Ⓢ



**S9B1
Direct Vent
Upflow**

| Unit Model Number | Airflow In Tons | Nominal Output (Btuh) | ICS ^① AFUE | Flue Size (in) | Ignition Device | Uncrated Dimensions (in.) H x W x D | Shipping Weight (lbs.) | Max Fuse* | Filter Sizes** |
|-------------------|-----------------|-----------------------|-----------------------|----------------|-----------------|--|------------------------|-----------|----------------|
| S9B1B040U3PSAA | 3 | 39,000 | 92.1 ^② | 2, 3, 4 | ④ | 34 x 17 ¹ / ₂ x 28 ³ / ₄ | 122 | 15 | 16 x 25 x 1 |
| S9B1B060U4PSAA | 4 | 58,300 | 92.1 ^② | 2, 3, 4 | ④ | 34 x 17 ¹ / ₂ x 28 ³ / ₄ | 130 | 15 | 16 x 25 x 1 |
| S9B1B080U4PSAA | 4 | 77,200 | 92.1 ^② | 2, 3, 4 | ④ | 34 x 17 ¹ / ₂ x 28 ³ / ₄ | 135 | 15 | 16 x 25 x 1 |
| S9B1C080U5PSAA | 5 | 77,800 | 92.1 ^② | 2, 3, 4 | ④ | 34 x 21 x 28 ³ / ₄ | 149 | 15 | 20 x 25 x 1 |
| S9B1C100U5PSAA | 5 | 97,400 | 92.1 ^② | 2, 3, 4 | ④ | 34 x 21 x 28 ³ / ₄ | 155 | 15 | 20 x 25 x 1 |
| S9B1D120U5PSAA | 5 | 113,400 | 92.1 ^② | 3, 4 | ④ | 34 x 24 ¹ / ₂ x 28 ³ / ₄ | 167 | 15 | 24 x 25 x 1 |



**S9B1
Direct Vent
Downflow**

Table FUR-4-D – S9B1 High Efficiency 9 Speed ECM Motor, 1 Stage, Direct/Non-Direct Vent, Downflow Condensing Gas Furnace (120/1/60)Ⓢ

| Unit Model Number | Airflow In Tons | Nominal Output (Btuh) | ICS ^① AFUE | Flue Size (in) | Ignition Device | Uncrated Dimensions (in.) H x W x D | Shipping Weight (lbs.) | Max Fuse* | Filter Sizes** |
|-------------------|-----------------|-----------------------|-----------------------|----------------|-----------------|--|------------------------|-----------|----------------|
| S9B1B040D3PSAA | 3 | 38,900 | 92.1 ^② | 2, 3, 4 | ④ | 34 x 17 ¹ / ₂ x 28 ³ / ₄ | 122 | 15 | (2)14 x 20 x 1 |
| S9B1B060D3PSAA | 3 | 57,600 | 92.1 ^② | 2, 3, 4 | ④ | 34 x 17 ¹ / ₂ x 28 ³ / ₄ | 127 | 15 | (2)14 x 20 x 1 |
| S9B1B080D4PSAA | 4 | 76,900 | 92.1 ^② | 2, 3, 4 | ④ | 34 x 17 ¹ / ₂ x 28 ³ / ₄ | 135 | 15 | (2)14 x 20 x 1 |
| S9B1C100D5PSAA | 5 | 96,800 | 92.1 ^② | 2, 3, 4 | ④ | 34 x 21 x 28 ³ / ₄ | 155 | 15 | (2)16 x 20 x 1 |
| S9B1D120D5PSAA | 5 | 115,500 | 92.1 ^② | 3, 4 | ④ | 34 x 24 ¹ / ₂ x 28 ³ / ₄ | 167 | 15 | (2)16 x 20 x 1 |

① Isolated Combustion System. AFUE may vary based on poise.

② Energy Star® - U.S. South

③ Direct drive 9 speed motor is a high efficiency constant torque ECM blower motor.

④ Silicon Nitride Igniter.

* Information subject to change. Please confirm with current Product Data/Service Facts for current factory production.

** Filters are not shipped with furnace. For Upflow furnaces, the size is for a bottom return filter.



Convertible Gas Furnaces

Furnaces

Table FUR-5-A – Features

| | S9X1 Multi-Speed | S9B1 Multi-Speed |
|---|---------------------|---------------------|
| • Dry contact Humidifier/EAC hook-up capability..... | ✓ | — |
| • Insulated blower compartment..... | ✓ | — |
| • Meets requirements for 1% or less air leakage ①..... | ✓ | — |
| • Standard 34" height..... | ✓ | ✓ |
| • 3 Way poise Upflow furnace model (Upflow, Horizontal Left, Horizontal Right)..... | ✓ | ✓ |
| • Dedicated Downflow furnace model..... | ✓ | ✓ |
| • Front service access with easily accessible burners, sensors, orifices, switches, and other components..... | ✓ | ✓ |
| • Cabinet has no knockouts - Rubber and plastic plugs come installed from factory..... | ✓ | ✓ |
| • Gas can enter either side of cabinet..... | ✓ | ✓ |
| • Condensate can exit either side of cabinet in Upflow orientation..... | ✓ | ✓ |
| • Multiple venting options - Every model, every size will offer two venting options..... | ✓ | ✓ |
| • Integrated Furnace Control board with digital configuration, status, and fault codes..... | ✓ | ✓ |
| • Alpha-numeric diagnostic codes..... | ✓ | ✓ |
| • Adjustable blower off delay for heating and cooling..... | ✓ | ✓ |
| • Last six fault codes are stored (even with power loss)..... | ✓ | ✓ |
| • Stainless steel primary and secondary heat exchanger tubes..... | ✓ | ✓ |
| • Longer IFC wire harnesses allow door to be removed without disconnecting the harness..... | ✓ | ✓ |
| • Alternate bottom/left/right return air (upflow models only)..... | ✓ | ✓ |
| • Bottom panel..... | ✓ | ✓ |
| • Direct drive, 9 speed ECM blower motor - Constant torque ECM (electronically commutated motor)..... | ✓ | ✓ |
| • Dual PVC pipe venting (1 or 2 pipe option)..... | ✓ | ✓ |
| • Single-stage combination gas valve and regulator..... | ✓ | ✓ |
| • Gasketed inner and outer door..... | ✓ | ✓ |
| • Heavy gauge reinforced wrap-around steel cabinet..... | ✓ | ✓ |
| • Left/right condensate drain capability in vertical application..... | ✓ | ✓ |
| • Service diagnostics with faults reported on IFC board..... | ✓ | ✓ |
| • Manual reset flame roll out switches..... | ✓ | ✓ |
| • Mobile home approved with mobile home kit..... | ✓ | ✓ |
| • Multi-port in shot burners..... | ✓ | ✓ |
| • Service diagnostic capabilities..... | ✓ | ✓ |
| • Vortica™ II blower housing..... | ✓ | ✓ |
| • Slide out blower assembly on full-length rails..... | ✓ | ✓ |
| • Side return duct starter tabs (upflow models only)..... | ✓ | ✓ |
| • Silicon Nitride 120V hot surface igniter..... | ✓ | ✓ |
| • Multiple heating blower speeds..... | ✓ | ✓ |
| • Limited lifetime heat exchanger warranty & 10-year on all other functional parts with registration (Residential Use)..... | ✓ | ✓ |
| • Optional extended warranties available..... | ✓ | ✓ |

① 1.4% on S9B1 models.

* Registered Limited Warranty terms are available when you register within 60 days of installation. You can register online at Trane.com or by phone at 855-260-2975, otherwise Trane's Base Limited Warranty terms will apply. Base Limited Warranty information on specific products can be found on ComfortSite.com.

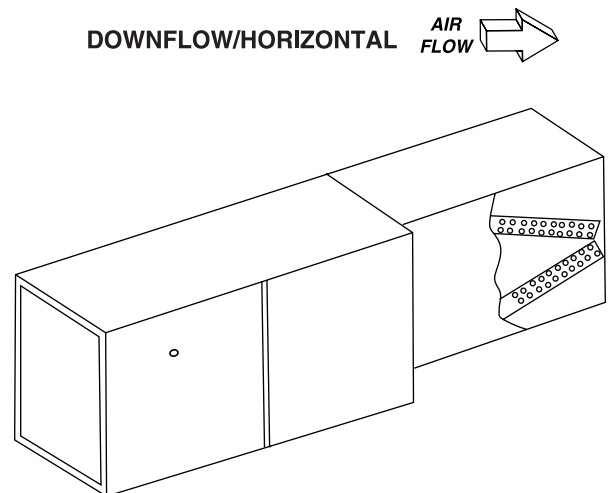
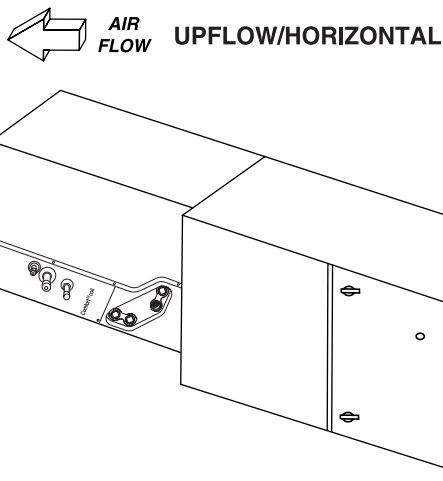
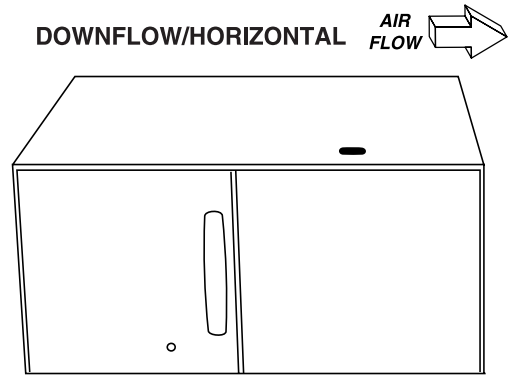
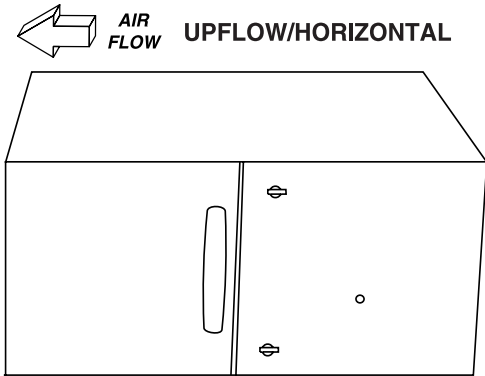
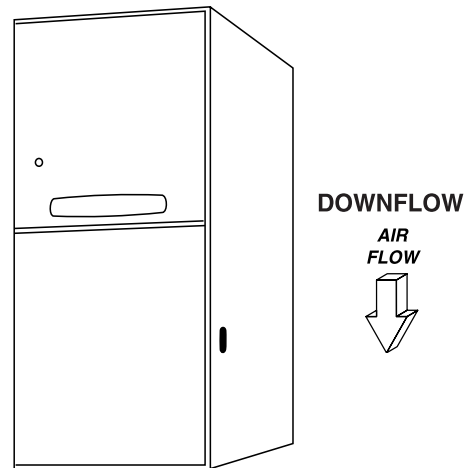
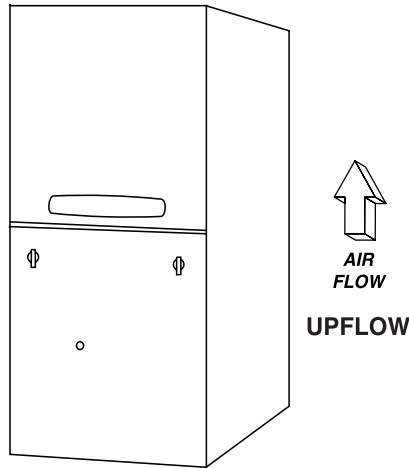
Table FUR-5-B – Optional Accessories

| Model Number | Description | Shipping Weight | S9X1 - 1 Stage 1 or 2 Pipe | S9B1 - 1 Stage 1 or 2 Pipe |
|-----------------------|--|-----------------|-------------------------------|-------------------------------|
| BAYLPS5400C..... | LP Kit with Stainless Steel Burners..... | 3..... | ✓ | ✓ |
| BAYHANG..... | Horizontal hanging kit..... | 2..... | ✓ | ✓ |
| BAYVENT200B..... | Sidewall vent Termination Kit fo Direct vent furnaces..... | 2..... | ✓ | ✓ |
| BAYVENTCN200B..... | Sidewall vent Termination Kit fo Direct vent furnaces for Canadian applications..... | 2..... | ✓ | ✓ |
| BAYAIR30AVENTA..... | Concentric vent kit for 2, 2½ and 3" vent system..... | 11..... | ✓ | ✓ |
| BAYAIR30CNVENT..... | Concentric vent kit for 2, 2½ and 3" vent system for Canadian applications..... | 11..... | ✓ | ✓ |
| BAYREDUCE..... | Reducer Coupling for Canadian applications (CPVC)..... | 1..... | ✓ | ✓ |
| BAYLIFTB..... | Dual return kit. B size extension..... | 8..... | ✓ | ✓ |
| BAYLIFTC..... | Dual return kit. C size extension..... | 9..... | ✓ | ✓ |
| BAYLIFTD..... | Dual return kit. D size extension..... | 9..... | ✓ | ✓ |
| BAYMFGH200B..... | Manufactured/mobile home kit..... | 1..... | ✓ | ✓ |
| BAYCNDTRAP2A..... | In-line condensate collector for 2" PVC pipe..... | 1..... | ✓ | ✓ |
| BAYCNDTRAP3A..... | In-line condensate collector for 3" PVC pipe..... | 1..... | ✓ | ✓ |
| BAYBASE205..... | Downflow subbase..... | 8..... | ✓ | ✓ |
| BAYFLTR206..... | Filter Access Door Kit (Downflow only)..... | 2..... | ✓ | ✓ |
| MAYBFERCOLKITA 2..... | Heat Shield, B size cabinet..... | 3..... | ✓ | ✓ |
| MAYCFERCOLKITA 2..... | Heat Shield, C size cabinet..... | 3..... | ✓ | ✓ |
| MAYDFERCOLKITA 2..... | Heat Shield, D size cabinet..... | 3..... | ✓ | ✓ |
| BAYSF1165..... | 16x20 1" side return filter rack..... | | ✓ | ✓ |
| BAYSF1255..... | 16x25 1" side return filter rack (bottom return for 17.5" cabinets)..... | | ✓ | ✓ |
| BAYBURNERSS..... | Stainless steel natural gas burner kit..... | | ✓ | ✓ |

② Required on furnaces manufactured on or after 7/3/19 (with date code 19273 or after) when installed with a 4MXC or 4GXC coils in upflow or horizontal position. Not required in Downflow orientation.

For complete equipment / combination selections, installation instructions and warranty information, please refer to Product Data/Ratings and/or Installers Guides and Limited Warranty Handbooks.

XC95m Convertible Gas Furnaces Air Flow Directions

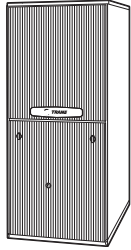


Note: The forty inch (40") height condensing downflow/horizontal and upflow/horizontal furnaces may only be rotated onto their left side. Connection brackets for coil/furnace alignment are included with the furnaces. The apex of the coil may point into or away from the airflow.



It's Hard To Stop A Trane.®

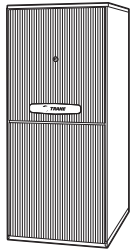
XC95m – Modulating Communicating ECM Variable Speed



XC95m Direct/
Non-Direct Vent
Upflow

Table FUR-7-A – XC95m Variable Speed, Communicating, Modulating Direct/Non-Direct Vent, Upflow/Horizontal Left Condensing Gas Furnace (115/1/60)①②③

| Unit Model No. | Airflow In Tons | Output (Btuh) | | ICS① AFUE Upflow / Horiz | Flue Size (in) | Uncrated Dimensions (in.) H x W x D | Shipping Weight (lbs.) | Max Fuse* | Filter Sizes** |
|----------------|-----------------|-----------------|----------------|--------------------------|----------------|-------------------------------------|------------------------|-----------|----------------|
| | | High Stage 100% | Low Stage 40%③ | | | | | | |
| TUHMB060ACV3VB | 3 | 57,000 | 23,000 | 97.3② / 96.5② | 2, 2 1/2, 3 | 40 x 17 1/2 x 28 | 158 | 15 | 17 x 25 x 1 |
| TUHMB080ACV3VB | 3 | 76,000 | 31,000 | 97.0② / 96.2② | 2, 2 1/2, 3 | 40 x 17 1/2 x 28 | 168 | 15 | 17 x 25 x 1 |
| TUHMC100ACV4VB | 4 | 95,000 | 39,000 | 96.0② / 95.2② | 2 1/2, 3 | 40 x 21 x 28 | 197 | 15 | 20 x 25 x 1 |
| TUHMD120ACV5VB | 5 | 114,000 | 52,000 | 97.0② / 96.2② | 3 | 40 x 24 1/2 x 28 | 206 | 15 | 24 x 25 x 1 |



XC95m Direct/
Non-Direct Vent
Downflow

Table FUR-7-B – XC95m Variable Speed, Communicating Modulating Direct/Non-Direct Vent, Downflow/Horizontal Right Condensing Gas Furnace (115/1/60)①②③

| Unit Model No. | Airflow In Tons | Output (Btuh) | | ICS① AFUE | Flue Size (in) | Ignition Device | Uncrated Dimensions (in.) H x W x D | Shipping Weight (lbs.) | Max Fuse* | Filter Sizes |
|----------------|-----------------|-----------------|---------------|-----------|----------------|-----------------|-------------------------------------|------------------------|-----------|----------------|
| | | High Stage 100% | Low Stage 40% | | | | | | | |
| TDHMB060BCV3VB | 3 | 57,000 | 22,800 | 95.0② | 2, 2 1/2, 3 | ⑥ | 40 x 17 1/2 x 28 | 160 | 15 | (2)14 x 20 x 1 |
| TDHMB080ACV3VB | 3 | 76,000 | 30,400 | 96.0② | 2, 2 1/2, 3 | ⑥ | 40 x 17 1/2 x 28 | 168 | 15 | (2)14 x 20 x 1 |
| TDHMC100ACV4VB | 4 | 96,000 | 38,400 | 96.0② | 2 1/2, 3 | ⑥ | 40 x 21 x 28 | 185 | 15 | (2)16 x 20 x 1 |
| TDHMD120BCV5VB | 5 | 114,000 | 51,300 | 95.0② | 3 | ⑥ | 40 x 24 1/2 x 28 | 206 | 15 | (2)16 x 20 x 1 |

Note: Variable speed furnaces should not be twinned and are not approved for twinning applications.

① Isolated Combustion System. AFUE may vary based on poise.

② Energy Star®.

③ Low stage is equal to 45% for the TUHMD120 model.

④ Field configurable to 24V non-communicating mode.

⑤ Direct drive variable speed motor is an ECM constant airflow blower motor.

⑥ Silicon Nitride Igniter.

⑦ Must use communicating thermostat with ComfortLink™ II control.

* Information subject to change. Please confirm with current Product Data/Service Facts for current factory production.

** For Upflow furnaces, the size is for a bottom return filter.

Furnaces



It's Hard To Stop A Trane.®

XC95m Convertible Gas Furnaces

Furnaces

Airflow Directions:

Downflow models when placed in horizontal position provide left to right airflow. Upflow models when placed in horizontal position provide right to left airflow.

Table FUR-8-A – Features

| | XC95m TUHM/TDHM Modulating 1 or 2 Pipe Variable Speed |
|--|---|
| • Comfort-R™ enhanced mode (cooling) | ✓ |
| • ComfortLink™ II system① | ✓ |
| • Meets requirements for 2% or less air leakage..... | ✓ |
| • Adjustable heating fan off timing | ✓ |
| • Alternate bottom/left/right return air (upflow models only) | ✓ |
| • Blower door safety switch | ✓ |
| • Bottom panel (upflow models only)..... | ✓ |
| • Cleanable/Reusable high velocity filters | ✓ |
| • Complete front service access | ✓ |
| • Direct drive, variable speed ECM blower motor** | ✓ |
| • Downflow horizontal right (downflow models only)..... | ✓ |
| • Dual PVC pipe venting (1 or 2 pipe option)..... | ✓ |
| • Modulating gas valve and regulator | ✓ |
| • Gasketed blower door (upflow models only) | ✓ |
| • Heavy gauge reinforced wrap-around steel cabinet | ✓ |
| • Humidifier/EAC hook-up capability..... | ✓ |
| • Inner blower door panel (downflow models only)..... | ✓ |
| • Insulated blower compartment 4 sides..... | ✓ |
| • Integrated solid state control w/self diagnostics..... | ✓ |
| • Left/right condensate drain capability in vertical application | ✓ |
| • Service diagnostics with faults reported at the user interface | ✓ |
| • Lite Port™/Stored diagnostics | ✓ |
| • Manual reset flame roll out switches..... | ✓ |
| • Multi-port in shot burners..... | ✓ |
| • Service diagnostic capabilities | ✓ |
| • Side return duct starter tabs (upflow models only) | ✓ |
| • Silicon Nitride hot surface igniter..... | ✓ |
| • Slide out blower assembly | ✓ |
| • Solid burner door (quiet operation)..... | ✓ |
| • 20 gauge aluminized steel heat exchanger..... | ✓ |
| • 24 volt secondary fuse..... | ✓ |
| • Multiple heating blower speeds..... | ✓ |
| • Type 29-4C™ stainless steel secondary heat exchanger | ✓ |
| • Upflow horizontal left (upflow models only)..... | ✓ |
| • Variable speed venter motor..... | ✓ |
| • Limited lifetime heat exchanger warranty & 10-year on all other functional parts with registration (Residential Use)② | ✓ |
| • Optional extended warranties available | ✓ |

Note: Variable speed furnaces should not be twinned and are not approved for twinning applications.

① Field configurable to 24V non-communicating mode.

② Registered Limited Warranty terms are available when you register within 60 days of installation. You can register online at Trane.com or by phone at 855-260-2975, otherwise Trane's Base Limited Warranty terms will apply. Base Limited Warranty information on specific products can be found on ComfortSite.com.

**Constant airflow ECM (electronically commutated motor).



It's Hard To Stop A Trane.®

XC95m Convertible Gas Furnaces

Airflow Directions:

Downflow models when placed in horizontal position provide left to right airflow. Upflow models when placed in horizontal position provide right to left airflow.

Table FUR-9-A – Optional Accessories

| Model Number | Description | Shipping Weight | XC95m TUHM/TDHM Modulating 1 or 2 Pipe Variable Speed |
|---------------------|--|-----------------|---|
| BAYBASE205..... | Downflow subbase for downflow models only | 8..... | ✓ |
| BAYFLTR200..... | External side filter rack..... | 5..... | ✓ |
| BAYFLTR317①..... | Cleanable filter for 17.5" cabinet upflow only..... | 2..... | ✓ |
| BAYFLTR321①..... | Cleanable filter for 21" cabinet upflow only | 2..... | ✓ |
| BAYFLTR324①..... | Cleanable filter for 24.5" cabinet upflow only..... | 2..... | ✓ |
| BAYLPKT220B..... | Propane conversion kit | 2..... | ✓ |
| BAYLPSS220C..... | LP Kit with Stainless Steel Burners | 2..... | ✓ |
| BAYRACK960A③..... | Filter rack kit for upflow models only (internal)②..... | 5..... | ✓ |
| BAYAIR30AVENTA..... | Concentric vent kit for 2, 2½ and 3" vent system | 11..... | ✓ |
| BAYAIR30CNVENT..... | Concentric vent kit for 2, 2½ and 3" vent system for Canadian applications | 11..... | ✓ |
| BAYVENT200B..... | Sidewall vent Termination Kit fo Direct vent furnaces..... | 2..... | ✓ |
| BAYVENTCN200B..... | Sidewall vent Termination Kit fo Direct vent furnaces for Canadian applications..... | 2..... | ✓ |
| BAYVENT500A..... | Side vent kit for downflow models only | 3..... | TDHM |
| BAYACCECOMM101..... | CleanEffects™ hookup kit for communicating furnaces..... | 1..... | ✓ |

Note: Variable speed furnaces should not be twinned and are not approved for twinning applications.

- ① Contains one (1) high velocity filter.
- ② Internal filter rack for side or bottom return air. Includes 17 x 25" cleanable filter for use in side return applications. Bottom return applications require different sizes of filters which are not included. Airflow requirements over 1800 CFM require filters on both sides or a side and bottom or bottom only.
- ③ BAYRACK960A not allowed on right side return on TUH2B080A9V4V** models.

Furnaces

Special Use Furnace Accessories

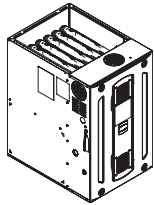
Table FUR-9-A – High Altitude Pressure Switch 90%

| Model Number | Description | Used With | Shipping Weight |
|----------------|-------------|--|-----------------|
| BAYSWT07AHALTA | 1 Switch | TUHMB060, TDHMB060 | 2 |
| BAYSWT08AHALTA | 1 Switch | TUHMD120, TDHMD120 | 2 |
| BAYSWT09AHALTA | 1 Switch | TUHMB080, TDHMB080, TUHMC100, TDHMC100 | 2 |

For complete equipment / combination selections, installation instructions and warranty information, please refer to Product Data/Ratings and/or Installers Guides and Limited Warranty Handbooks.

S8V2-C – Two Stage Communicating ECM Variable Speed

Table FUR-10L-A – S8V2-PC 2 Stage, Upflow/Downflow/Horizontal Left/Horizontal Right, Non-Condensing, Induced Draft Gas Furnace (120/1/60)^②



**S8V2-C
2-Stage**

| Unit Model Number | Airflow In Tons | Output (Btuh) | | ICS ^① AFUE | Flue Size (in) | Ignition Device | Uncrated Dimensions (in.) H x W x D | Shipping Weight (lbs.) | Max Fuse* | Filter Sizes** |
|-----------------------------|-----------------|---------------|---------|-----------------------|----------------|-----------------|--|------------------------|-----------|----------------|
| | | Stage 2 | Stage 1 | | | | | | | |
| S8V2A040M3PCAA | 2-3 | 32,200 | 21,000 | 80 | 4 | ③ | 34 x 14.5 x 28.75 | 102 | 15 | 14 x 25 x 1 |
| S8V2B060M4PCAA | 3-4 | 49,100 | 31,300 | 80 | 4 | ③ | 34 x 17.5 x 28.75 | 132 | 15 | 16 x 25 x 1 |
| S8V2B080M4PCAA | 3-4 | 65,800 | 41,200 | 80 | 4 | ③ | 34 x 17.5 x 28.75 | 137 | 15 | 16 x 25 x 1 |
| S8V2C080M5PCAA | 4-5 | 64,800 | 41,800 | 80 | 4 | ③ | 34 x 21 x 28.75 | 142 | 15 | 20 x 25 x 1 |
| S8V2C100M5PCAA | 4-5 | 81,200 | 52,300 | 80 | 4 | ③ | 34 x 21 x 28.75 | 144 | 15 | 20 x 25 x 1 |
| S8V2D120M5PCAA | 4-5 | 98,000 | 67,900 | 80 | 4 | ③ | 34 x 24.5 x 28.75 | 160 | 15 | 24 x 25 x 1 |
| Low NOx Models ^④ | | | | | | | | | | |
| S8V2A040M3PDAA | 2-3 | 32,200 | 21,000 | 80 | 4 | ③ | 34 x 14.5 x 28.75 | 102 | 15 | 14 x 25 x 1 |
| S8V2B060M4PDAA | 3-4 | 49,100 | 31,300 | 80 | 4 | ③ | 34 x 17.5 x 28.75 | 132 | 15 | 16 x 25 x 1 |
| S8V2B080M4PDAA | 3-4 | 65,800 | 41,200 | 80 | 4 | ③ | 34 x 17.5 x 28.75 | 137 | 15 | 16 x 25 x 1 |
| S8V2C080M5PDAA | 4-5 | 64,800 | 41,800 | 80 | 4 | ③ | 34 x 21 x 28.75 | 142 | 15 | 20 x 25 x 1 |
| S8V2C100M5PDAA | 4-5 | 81,200 | 52,300 | 80 | 4 | ③ | 34 x 21 x 28.75 | 144 | 15 | 20 x 25 x 1 |
| S8V2D120M5PDAA | 4-5 | 98,000 | 67,900 | 80 | 4 | ③ | 34 x 24. x 28.75 | 160 | 15 | 24 x 25 x 1 |

① IICS - Isolated Combustion System

② Direct drive variable speed blower motor is an ECM constant airflow blower motor.

③ Silicon Nitride Igniter

④ These models comply with 40ng/J Low NOx regulations.

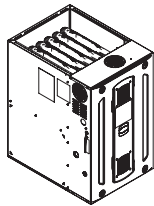
* Information subject to change. Please confirm with current Product Data/Service Facts for current factory production.

** Filters are not shipped with furnace

HUB & Sensor and UI (TLINK360A2VBUA) must be ordered to operate in Link communicating mode.

S8X2 – Two Stage ECM

Table FUR-10-A – S8X2 2 Stage, Upflow/Downflow/Horizontal Left/Horizontal Right, Non-Condensing, Induced Draft Gas Furnace (120/1/60)^②



**S8X2
4-Way
Multi-Poise**

| Unit Model Number | Airflow In Tons | Output (Btuh) | | ICS ^① AFUE | Flue Size (in) | Ignition Device | Uncrated Dimensions (in.) H x W x D | Shipping Weight (lbs.) | Max Fuse* | Filter Sizes** |
|-----------------------------|-----------------|---------------|---------|-----------------------|----------------|-----------------|--|------------------------|-----------|----------------|
| | | Stage 2 | Stage 1 | | | | | | | |
| S8X2A040M3PSCA | 2-3 | 32,200 | 20,900 | 80.0 | 4 | ③ | 34 x 14 ¹ / ₂ x 28 ³ / ₄ | 102 | 15 | 14 x 25 x 1 |
| S8X2B060M4PSCA | 4 | 48,700 | 31,500 | 80.0 | 4 | ③ | 34 x 17 ¹ / ₂ x 28 ³ / ₄ | 132 | 15 | 16 x 25 x 1 |
| S8X2B080M4PSCA | 3-4 | 65,000 | 42,500 | 80.0 | 4 | ③ | 34 x 17 ¹ / ₂ x 28 ³ / ₄ | 137 | 15 | 16 x 25 x 1 |
| S8X2C080M5PSCA | 4-5 | 64,900 | 41,800 | 80.0 | 4 | ③ | 34 x 21 x 28 ³ / ₄ | 142 | 15 | 20 x 25 x 1 |
| S8X2C100M5PSCB | 4-5 | 80,600 | 52,300 | 80.0 | 4 | ③ | 34 x 21 x 28 ³ / ₄ | 144 | 15 | 20 x 25 x 1 |
| S8X2D120M5PSCA | 5 | 98,000 | 67,800 | 80.0 | 4 | ③ | 34 x 24 ¹ / ₂ x 28 ³ / ₄ | 160 | 15 | 24 x 25 x 1 |
| Low NOx Models ^④ | | | | | | | | | | |
| S8X2A040M3PTCA | 2-3 | 32,200 | 20,900 | 80.0 | 4 | ③ | 34 x 14 ¹ / ₂ x 28 ³ / ₄ | 102 | 15 | 14 x 25 x 1 |
| S8X2B060M4PTCA | 4 | 48,700 | 31,500 | 80.0 | 4 | ③ | 34 x 17 ¹ / ₂ x 28 ³ / ₄ | 132 | 15 | 16 x 25 x 1 |
| S8X2B080M4PTCA | 3-4 | 65,000 | 42,500 | 80.0 | 4 | ③ | 34 x 17 ¹ / ₂ x 28 ³ / ₄ | 137 | 15 | 16 x 25 x 1 |
| S8X2C080M5PTCA | 4-5 | 64,900 | 41,800 | 80.0 | 4 | ③ | 34 x 21 x 28 ³ / ₄ | 142 | 15 | 20 x 25 x 1 |
| S8X2C100M5PTCB | 4-5 | 80,600 | 52,300 | 80.0 | 4 | ③ | 34 x 21 x 28 ³ / ₄ | 144 | 15 | 20 x 25 x 1 |
| S8X2D120M5PTCA | 5 | 98,000 | 67,800 | 80.0 | 4 | ③ | 34 x 24 ¹ / ₂ x 28 ³ / ₄ | 160 | 15 | 24 x 25 x 1 |

① Isolated Combustion System.

② 9 Speed direct drive motor is an ECM constant torque motor.

③ Silicon Nitride Igniter.

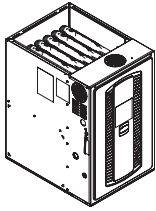
④ These models comply with California 40ng/J Low NOx regulations.

* Information subject to change. Please confirm with current Product Data/Service Facts for current factory production.

** Filters are not shipped with furnace.

S8X1 – Single Stage ECM

Table FUR-11-B — S8X1 1 Stage, Upflow/Downflow/Horizontal Left/Horizontal Right, Non-Condensing, Induced Draft Gas Furnace (120/1/60)②



**S8X1
4-Way
Multi-Poise**

| Unit Model Number | Airflow In Tons | Nominal Output (Btuh) | ICS① AFUE | Flue Size (in) | Ignition Device | Uncrated Dimensions (in.) H x W x D | Shipping Weight (lbs.) | Max Fuse* | Filter Sizes** |
|-------------------|-----------------|-----------------------|-----------|----------------|-----------------|--|------------------------|-----------|----------------|
| S8X1A026M2PSCA | 2 | 21,000 | 80.0 | 4 | ③ | 34 x 14 ¹ / ₂ x 28 ³ / ₄ | 102 | 15 | 14 x 25 x 1 |
| S8X1A040M3PSCA | 2-3 | 32,300 | 80.0 | 4 | ③ | 34 x 14 ¹ / ₂ x 28 ³ / ₄ | 102 | 15 | 14 x 25 x 1 |
| S8X1B040M2PSCA | 2 | 32,500 | 80.0 | 4 | ③ | 34 x 17 ¹ / ₂ x 28 ³ / ₄ | 128 | 15 | 16 x 25 x 1 |
| S8X1B060M4PSCA | 4 | 48,700 | 80.0 | 4 | ③ | 34 x 17 ¹ / ₂ x 28 ³ / ₄ | 132 | 15 | 16 x 25 x 1 |
| S8X1B080M4PSCA | 3-4 | 65,100 | 80.0 | 4 | ③ | 34 x 17 ¹ / ₂ x 28 ³ / ₄ | 137 | 15 | 16 x 25 x 1 |
| S8X1C080M5PSCA | 4-5 | 64,700 | 80.0 | 4 | ③ | 34 x 21 x 28 ³ / ₄ | 142 | 15 | 20 x 25 x 1 |
| S8X1C100M5PSCB | 4-5 | 80,700 | 80.0 | 4 | ③ | 34 x 21 x 28 ³ / ₄ | 144 | 15 | 20 x 25 x 1 |
| S8X1D120M5PSCA | 5 | 98,000 | 80.0 | 4 | ③ | 34 x 24 ¹ / ₂ x 28 ³ / ₄ | 160 | 15 | 24 x 25 x 1 |
| Low NOx Models ④ | | | | | | | | | |
| S8X1A026M2PTCA | 2 | 21,000 | 80.0 | 4 | ③ | 34 x 14 ¹ / ₂ x 28 ³ / ₄ | 102 | 15 | 14 x 25 x 1 |
| S8X1A040M3PTCA | 2-3 | 32,300 | 80.0 | 4 | ③ | 34 x 14 ¹ / ₂ x 28 ³ / ₄ | 102 | 15 | 14 x 25 x 1 |
| S8X1B040M2PTCA | 2 | 32,500 | 80.0 | 4 | ③ | 34 x 17 ¹ / ₂ x 28 ³ / ₄ | 128 | 15 | 16 x 25 x 1 |
| S8X1B060M4PTCA | 4 | 48,700 | 80.0 | 4 | ③ | 34 x 17 ¹ / ₂ x 28 ³ / ₄ | 132 | 15 | 16 x 25 x 1 |
| S8X1B080M4PTBA | 3-4 | 65,100 | 80.0 | 4 | ③ | 34 x 17 ¹ / ₂ x 28 ³ / ₄ | 137 | 15 | 16 x 25 x 1 |
| S8X1C080M5PTCA | 4-5 | 64,700 | 80.0 | 4 | ③ | 34 x 21 x 28 ³ / ₄ | 142 | 15 | 20 x 25 x 1 |
| S8X1C100M5PTCB | 4-5 | 80,700 | 80.0 | 4 | ③ | 34 x 21 x 28 ³ / ₄ | 144 | 15 | 20 x 25 x 1 |
| S8X1D120M5PTCA | 5 | 98,000 | 80.0 | 4 | ③ | 34 x 24 ¹ / ₂ x 28 ³ / ₄ | 160 | 15 | 24 x 25 x 1 |

① Isolated Combustion System.

② 9 Speed direct drive motor is an ECM constant torque motor.

③ Silicon Nitride Igniter.

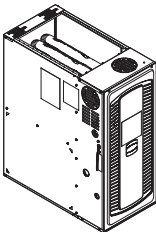
④ These models comply with California 40ng/J Low NOx regulations.

* Information subject to change. Please confirm with current Product Data/Service Facts for current factory production.

** Filters are not shipped with furnace.

S8B1 – Single Stage ECM

Table FUR-11-A — S8B1 1 Stage, Upflow/Downflow/Horizontal Left/Horizontal Right, Non-Condensing, Induced Draft Gas Furnace (120/1/60)②



**S8B1
4-Way
Multi-Poise**

| Unit Model Number | Airflow In Tons | Nominal Output (Btuh) | ICS① AFUE | Flue Size (in) | Ignition Device | Uncrated Dimensions (in.) H x W x D | Shipping Weight (lbs.) | Max Fuse* | Filter Sizes** |
|-------------------|-----------------|-----------------------|-----------|----------------|-----------------|--|------------------------|-----------|----------------|
| S8B1A026M2PSCA | 2 | 21,000 | 80.0 | 4 | ③ | 34 x 14 ¹ / ₂ x 28 ³ / ₄ | 102 | 15 | 14 x 25 x 1 |
| S8B1A040M3PSCA | 2-3 | 32,300 | 80.0 | 4 | ③ | 34 x 14 ¹ / ₂ x 28 ³ / ₄ | 102 | 15 | 14 x 25 x 1 |
| S8B1B040M2PSCA | 2 | 32,500 | 80.0 | 4 | ③ | 34 x 17 ¹ / ₂ x 28 ³ / ₄ | 128 | 15 | 16 x 25 x 1 |
| S8B1B060M4PSCA | 4 | 48,700 | 80.0 | 4 | ③ | 34 x 17 ¹ / ₂ x 28 ³ / ₄ | 132 | 15 | 16 x 25 x 1 |
| S8B1B080M4PSCA | 3-4 | 65,100 | 80.0 | 4 | ③ | 34 x 17 ¹ / ₂ x 28 ³ / ₄ | 137 | 15 | 16 x 25 x 1 |
| S8B1C080M5PSCA | 4-5 | 64,700 | 80.0 | 4 | ③ | 34 x 21 x 28 ³ / ₄ | 142 | 15 | 20 x 25 x 1 |
| S8B1C100M5PSCB | 4-5 | 80,700 | 80.0 | 4 | ③ | 34 x 21 x 28 ³ / ₄ | 144 | 15 | 20 x 25 x 1 |
| S8B1D120M5PSCA | 5 | 98,000 | 80.0 | 4 | ③ | 34 x 24 ¹ / ₂ x 28 ³ / ₄ | 160 | 15 | 24 x 25 x 1 |
| Low NOx Models ④ | | | | | | | | | |
| S8B1A026M2PTCA | 2 | 21,000 | 80.0 | 4 | ③ | 34 x 14 ¹ / ₂ x 28 ³ / ₄ | 102 | 15 | 14 x 25 x 1 |
| S8B1A040M3PTCA | 2-3 | 32,300 | 80.0 | 4 | ③ | 34 x 14 ¹ / ₂ x 28 ³ / ₄ | 102 | 15 | 14 x 25 x 1 |
| S8B1B040M2PTCA | 2 | 32,500 | 80.0 | 4 | ③ | 34 x 17 ¹ / ₂ x 28 ³ / ₄ | 128 | 15 | 16 x 25 x 1 |
| S8B1B060M4PTCA | 4 | 48,700 | 80.0 | 4 | ③ | 34 x 17 ¹ / ₂ x 28 ³ / ₄ | 132 | 15 | 16 x 25 x 1 |
| S8B1B080M4PTCA | 3-4 | 65,100 | 80.0 | 4 | ③ | 34 x 17 ¹ / ₂ x 28 ³ / ₄ | 137 | 15 | 16 x 25 x 1 |
| S8B1C080M5PTCA | 4-5 | 64,700 | 80.0 | 4 | ③ | 34 x 21 x 28 ³ / ₄ | 142 | 15 | 20 x 25 x 1 |
| S8B1C100M5PTCB | 4-5 | 80,700 | 80.0 | 4 | ③ | 34 x 21 x 28 ³ / ₄ | 144 | 15 | 20 x 25 x 1 |
| S8B1D120M5PTCA | 5 | 98,000 | 80.0 | 4 | ③ | 34 x 24 ¹ / ₂ x 28 ³ / ₄ | 160 | 15 | 24 x 25 x 1 |

① Isolated Combustion System.

② 9 Speed direct drive motor is an ECM constant torque motor.

③ Silicon Nitride Igniter.

④ These models comply with California 40ng/J Low NOx regulations.

* Information subject to change. Please confirm with current Product Data/Service Facts for current factory production.

** Filters are not shipped with furnace.

Convertible Gas Furnaces

Table FUR-12-A — Features

| | S8V2-C 2 Stage | S8X2 2 Stage | S8X1 1 Stage | S8B1 1 Stage |
|---|-------------------|-----------------|-----------------|-----------------|
| • Trane® Link™ Communicating Capability | ✓ | — | — | — |
| • Can be connected in communicating or 24V non-communicating modes | ✓ | — | — | — |
| • High Efficiency, Variable Speed Constant Airflow blower motor | ✓ | — | — | — |
| • Two stage combination gas valve and regulator | ✓ | ✓ | — | — |
| • Dry contact Humidifier/EAC hook-up capability | ✓ | ✓ | ✓ | — |
| • Insulated blower compartment | ✓ | ✓ | ✓ | — |
| • Meets requirements for 1% or less air leakage 2 | ✓ | ✓ | ✓ | — |
| • Direct drive, 9 speed Constant Torque ECM blower motor | — | ✓ | ✓ | ✓ |
| • Painted cabinet two tone color | ✓ | ✓ | ✓ | ✓ |
| • Standard 34" height | ✓ | ✓ | ✓ | ✓ |
| • 4 Way poise (Upflow, Downflow, Horizontal Left, Horizontal Right) | ✓ | ✓ | ✓ | ✓ |
| • Front service access with easily accessible burners, sensors, orifices, switches, and other components... | ✓ | ✓ | ✓ | ✓ |
| • Cabinet has no knockouts - Plastic plugs come installed from factory | ✓ | ✓ | ✓ | ✓ |
| • Gas can enter either side of cabinet | ✓ | ✓ | ✓ | ✓ |
| • Multiple venting options - Every model, every size offers two venting options | ✓ | ✓ | ✓ | ✓ |
| • Integrated Furnace Control board with digital configuration, status, and fault codes | ✓ | ✓ | ✓ | ✓ |
| • Alpha-numeric diagnostic codes | ✓ | ✓ | ✓ | ✓ |
| • Adjustable blower off delay for heating and cooling | ✓ | ✓ | ✓ | ✓ |
| • Last six fault codes are stored (even with power loss) | ✓ | ✓ | ✓ | ✓ |
| • Aluminized heat exchanger tubes | ✓ | ✓ | ✓ | ✓ |
| • Longer IFC wire harnesses allow door to be removed without disconnecting the harness | ✓ | ✓ | ✓ | ✓ |
| • Alternate bottom/left/right return air (except downflow) | ✓ | ✓ | ✓ | ✓ |
| • Bottom panel | ✓ | ✓ | ✓ | ✓ |
| • Heavy gauge reinforced wrap-around steel cabinet | ✓ | ✓ | ✓ | ✓ |
| • Service diagnostics with faults reported on IFC board | ✓ | ✓ | ✓ | ✓ |
| • Manual reset flame roll out switches | ✓ | ✓ | ✓ | ✓ |
| • Multi-port in shot burners | ✓ | ✓ | ✓ | ✓ |
| • Service diagnostic capabilities | ✓ | ✓ | ✓ | ✓ |
| • Vortica™ II blower housing | ✓ | ✓ | ✓ | ✓ |
| • Slide out blower assembly on full-length rails | ✓ | ✓ | ✓ | ✓ |
| • Side return duct starter tabs | ✓ | ✓ | ✓ | ✓ |
| • Silicon Nitride 120V hot surface igniter | ✓ | ✓ | ✓ | ✓ |
| • Multiple heating blower speeds | ✓ | ✓ | ✓ | ✓ |
| • Limited Lifetime warranty on the heat exchanger & 10-year on all other functional parts with registration (Residential Use) | ✓ | — | — | — |
| • 20-year limited warranty on the heat exchanger & 10-year on all other functional parts with registration (Residential Use)* | — | ✓ | ✓ | ✓ |
| • Optional extended warranties available | ✓ | ✓ | ✓ | ✓ |

① 14.5" cabinets do not have blower compartment insulation

* Registered Limited Warranty terms are available when you register within 60 days of installation. You can register online at Trane.com or by phone at 855-260-2975, otherwise Trane's Base Limited Warranty terms will apply. Base Limited Warranty information on specific products can be found on ComfortSite.com.

Table FUR-12-B — Optional Accessories

| Model Number | Description | Shipping Weight | S8V2-C 2 Stage | S8X2 2 Stage | S8X1 1 Stage | S8B1 1 Stage |
|--------------|---|-----------------|-------------------|-----------------|-----------------|-----------------|
| BAYLPSS400C | LP Kit with Stainless Steel Burners | 3 | ✓ | ✓ | (except 026) | (except 026) |
| BAYLPSS410B | LP Kit with Stainless Steel Burners | 3 | — | — | S8X1A026 | S8B1A026 |
| BAYHANG | Horizontal hanging kit | 2 | ✓ | ✓ | ✓ | ✓ |
| BAYSF1165A | 1" SlimFit Box with MERV 4 Filter (side return) | 5 | ✓ | ✓ | ✓ | ✓ |
| BAYVENT600A | Internal venting kit | 11 | ✓ | ✓ | ✓ | ✓ |
| BAYVENT800B | Masonry Chimney Vent Kit | 11 | ✓ | ✓ | ✓ | ✓ |
| PIP02095 | U fitting for gas piping | 1 | ✓ | ✓ | ✓ | ✓ |
| BAYLIFTB | Dual return kit. B cabinet size extension | 8 | ✓ | ✓ | ✓ | ✓ |
| BAYLIFTC | Dual return kit. C cabinet size extension | 9 | ✓ | ✓ | ✓ | ✓ |
| BAYLIFTD | Dual return kit. D cabinet size extension | 9 | ✓ | ✓ | ✓ | ✓ |
| BAYBASE205 | Downflow subbase | 8 | ✓ | ✓ | ✓ | ✓ |
| BAYFLTR206 | Filter Access Door Kit (Downflow only) | 2 | ✓ | ✓ | ✓ | ✓ |
| BAYSF1165 | 16x20 1" side return filter rack | ✓ | ✓ | ✓ | ✓ | ✓ |
| BAYSF1255 | 16x25 1" side return filter rack (bottom return for 17.5" cabinets) | ✓ | ✓ | ✓ | ✓ | ✓ |
| BAYBURNERSS | Stainless steel natural gas burner kit | ✓ | ✓ | ✓ | ✓ | ✓ |
| BAYFURNPTKT | Optional return static sensor | ✓ | — | — | — | — |
| BAYSENSC360 | Supply Air Temperature Sensor* | ✓ | — | — | — | — |

① Compatible with B, C, and D width cabinets.

*Optional in 24v mode



It's Hard To Stop A Trane.®

Convertible Gas Furnaces

Table FUR-13-A — High Altitude Pressure Switch S8 Furnaces

| Model Number | Description | Used With | Shipping Weight |
|----------------|-------------|--|-----------------|
| BAYSWT14AHALTB | 1 Switch | S8X1C080M5PSAB①, S8X1C100M5PSAB①, S8B1C080M5PSAB①, S8B1C100M5PSAB① | 2 |
| BAYSWT15AHALTA | 1 Switch | S8X1B060M3PSAB①, S8X1B060M4PSAB①, S8X1B080M4PSBA①, S8B1B060M3PSAB①, S8B1B060M4PSAB①, S8B1B080M4PSBA① | 2 |
| BAYSWT16AHALTA | 2 Switches | S8X2C080M5PSAB①, S8V2C080M5P* | 2 |
| BAYSWT17AHALTA | 2 Switches | S8X2B060M3PSAB, S8X2B060M4PSAB | 2 |
| BAYSWT18AHALTA | 2 Switches | S8X2B080M4PSBA①, S8V2B080M4P* | 2 |
| BAYSWT19AHALTA | 2 Switches | S8X2C100M5PSAB①, S8V2C100M5P* | 2 |
| BAYSWT20AHALTA | 1 Switch | S8X1A026M2PSAB①, S8B1A026M2PSAB① | 2 |
| BAYSWT21AHALTA | 1 Switch | S8X1A040M3PSAB①, S8X1A040M3PSAB①, S8X1B040M2PSAB①, S8B1B040M2PSAB① | 2 |
| BAYSWT22AHALTA | 2 Switches | S8X2A040M3PSAB①, S8V2A040M3P* | 2 |
| BAYSWT23AHALTA | 2 Switches | S8X2B060M3PSAB②, S8X2B060M4PSA②, S8V2B060M4P* | 2 |
| BAYSWT24AHALTA | 2 Switches | S8V2D120M5P* | 2 |

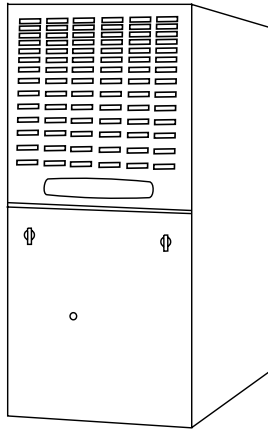
Note: S8X1D120M5, S8B1D120M5, and S8X2D120M5 do not require high altitude pressure switch kits.

① SAAA & later or TAAA & later

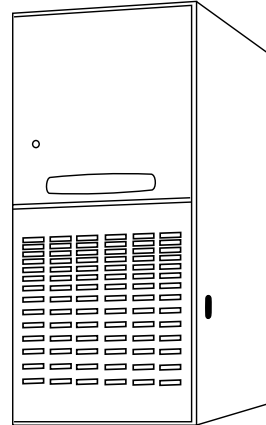
② SAAB & later or TAAA & later

Furnaces

XC80 Convertible Gas Furnace Airflow Directions



AIR FLOW
↑
UPFLOW

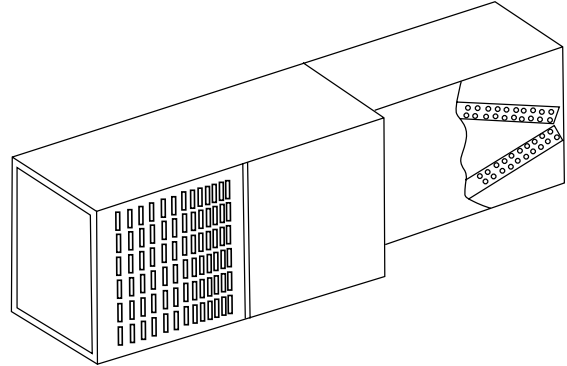
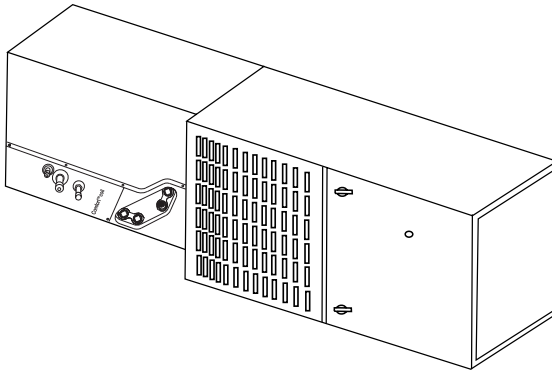


DOWNFLOW
AIR FLOW
↓

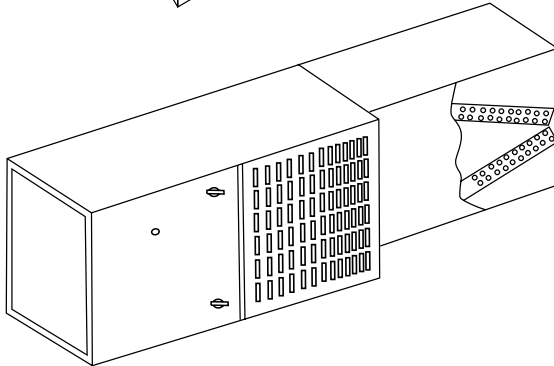
AIR FLOW ←

UPFLOW, DOWNFLOW, HORIZONTAL LEFT OR RIGHT

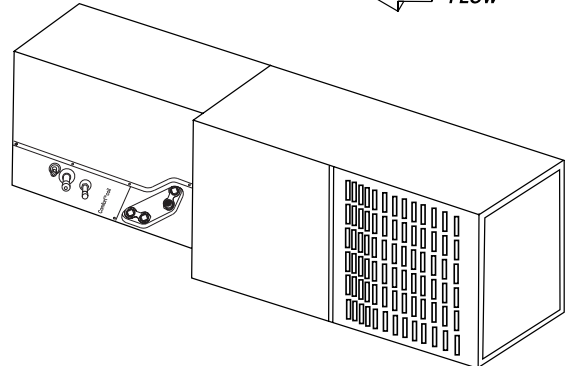
AIR FLOW →



AIR FLOW → UPFLOW

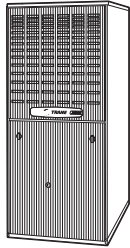


DOWNFLOW ← AIR FLOW



Note: The non-condensing, forty inch (40") height furnaces may be laid on either side for horizontal application. Connection brackets for coil/furnace alignment are included with the furnaces. The apex of the coil may point into or away from the airflow.

XC80 Communicating Two Stage ECM Variable Speed



**XC80
Upflow**

Table FUR-15-A — XC80 Variable Speed Communicating, Two-Stage, Upflow/Horizontal Left or Right Induced Draft Gas Furnace (115/1/60)②③④

| Unit Model Number | Airflow In Tons | Output (Btuh) | | ICS① AFUE | Flue Size (in) | Ignition Device | Uncrated Dimensions (in.) H x W x D | Shipping Weight (lbs.) | Max Fuse* | Filter Sizes** |
|-------------------|-----------------|---------------|---------|-----------|----------------|-----------------|-------------------------------------|------------------------|-----------|----------------|
| | | Stage 2 | Stage 1 | | | | | | | |
| TUD2B060ACV32B | 3 | 48,000 | 31,200 | 80.0 | 4 | ① | 40 x 17½ x 28 | 136 | 15 | 17 x 25 x 1 |
| TUD2B080ACV32B | 3 | 64,000 | 41,600 | 80.0 | 4 | ① | 40 x 17½ x 28 | 142 | 15 | 17 x 25 x 1 |
| TUD2C080ACV42B | 4 | 64,000 | 41,600 | 80.0 | 4 | ① | 40 x 21 x 28 | 155 | 15 | 20 x 25 x 1 |
| TUD2C100ACV52B | 5 | 79,000 | 52,000 | 80.0 | 4 | ① | 40 x 21 x 28 | 175 | 15 | 20 x 25 x 1 |
| TUD2D120ACV52B | 5 | 97,000 | 62,400 | 80.0 | 4 | ① | 40 x 24½ x 28 | 193 | 15 | 24 x 25 x 1 |
| TUD2D140ACV52B | 5 | 111,000 | 72,800 | 80.0 | 4 | ① | 40 x 24½ x 28 | 197 | 15 | 24 x 25 x 1 |

Table FUR-15-B — XC80 Variable Speed Communicating, Two-Stage, Downflow/Horizontal Left or Right Induced Draft Gas Furnace (115/1/60)②③④

| Unit Model Number | Airflow In Tons | Output (Btuh) | | ICS① AFUE | Flue Size (in) | Ignition Device | Uncrated Dimensions (in.) H x W x D | Shipping Weight (lbs.) | Max Fuse* | Filter Sizes** |
|-------------------|-----------------|---------------|---------|-----------|----------------|-----------------|-------------------------------------|------------------------|-----------|-----------------|
| | | Stage 2 | Stage 1 | | | | | | | |
| TDD2B060ACV32B | 3 | 48,000 | 31,200 | 80.0 | 4 | ① | 40 x 17½ x 28 | 140 | 15 | (2) 14 x 20 x 1 |
| TDD2B080ACV32B | 3 | 63,000 | 41,600 | 80.0 | 4 | ① | 40 x 17½ x 28 | 146 | 15 | (2) 14 x 20 x 1 |
| TDD2C100ACV52B | 5 | 81,000 | 52,000 | 80.0 | 4 | ① | 40 x 21 x 28 | 166 | 15 | (2) 16 x 20 x 1 |
| TDD2D120ACV52B | 5 | 95,000 | 62,400 | 80.0 | 4 | ① | 40 x 24½ x 28 | 197 | 15 | (2) 16 x 20 x 1 |

Note: Variable speed furnaces should not be twinned and are not approved for twinning applications.

① Silicon Nitride Igniter.

② Must use communicating thermostat with ComfortLink™ II control.

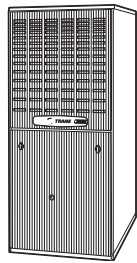
③ Field convertible to 24V non-communicating.

④ Direct drive variable speed motor is an ECM constant airflow blower motor.

⑤ Isolated Combustion System.

* Information subject to change. Please confirm with current Product Data/Service Facts for current factory production.

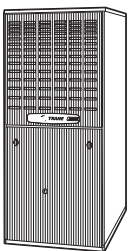
** For Upflow furnaces, the size is for a bottom return filter.



**XC80
Downflow**

Furnaces

XV80 – Two Stage ECM Variable Speed



**XV80
Upflow**

Table FUR-15-C — XV80 Upflow/Horizontal Left or Right Induced Draft Gas Furnace (115/1/60) ②

| Unit Model Number | Airflow In Tons | Output (Btuh) | | ICS③ AFUE | Flue Size (in) | Ignition Device | Uncrated Dimensions (in.) H x W x D | Shipping Weight (lbs.) | Max Fuse* | Filter Sizes** |
|-------------------|-----------------|---------------|---------|-----------|----------------|-----------------|-------------------------------------|------------------------|-----------|----------------|
| | | Stage 2 | Stage 1 | | | | | | | |
| TUD2B060A9V3VB | 3 | 48,000 | 31,200 | 80.0 | 4 | Silicon Nitride | 40 x 17½ x 28 | 136 | 15 | 17 x 25 x 1 |
| TUD2B080A9V3VB | 3 | 64,000 | 41,600 | 80.0 | 4 | Silicon Nitride | 40 x 17½ x 28 | 142 | 15 | 17 x 25 x 1 |
| TUD2C080A9V4VB | 4 | 64,000 | 41,600 | 80.0 | 4 | Silicon Nitride | 40 x 21 x 28 | 166 | 15 | 17 x 25 x 1 |
| TUD2C080B9V4VB① | 4 | 64,000 | 41,600 | 80.0 | 4 | Silicon Nitride | 40 x 21 x 28 | 166 | 15 | 17 x 25 x 1 |
| TUD2C100A9V5VB | 5 | 79,000 | 52,000 | 80.0 | 4 | Silicon Nitride | 40 x 21 x 28 | 166 | 20 | 20 x 25 x 1 |
| TUD2C100B9V5VB① | 5 | 79,000 | 52,000 | 80.0 | 4 | Silicon Nitride | 40 x 21 x 28 | 166 | 20 | 20 x 25 x 1 |
| TUD2D120A9V5VB | 5 | 97,000 | 62,400 | 80.0 | 4 | Silicon Nitride | 40 x 24½ x 28 | 193 | 20 | 24 x 25 x 1 |
| TUD2D120B9V5VB① | 5 | 97,000 | 62,400 | 80.0 | 4 | Silicon Nitride | 40 x 24½ x 28 | 193 | 20 | 24 x 25 x 1 |

Table FUR-15-D — XV80 Downflow/Horizontal Left or Right Induced Draft Gas Furnace (115/1/60) ②

| Unit Model Number | Airflow In Tons | Output (Btuh) | | ICS③ AFUE | Flue Size (in) | Ignition Device | Uncrated Dimensions (in.) H x W x D | Shipping Weight (lbs.) | Max Fuse* | Filter Sizes** |
|-------------------|-----------------|---------------|---------|-----------|----------------|-----------------|-------------------------------------|------------------------|-----------|-----------------|
| | | Stage 2 | Stage 1 | | | | | | | |
| TDD2B060A9V3VA | 3 | 48,000 | 31,200 | 80.0 | 4 | Silicon Nitride | 40 x 17½ x 28 | 140 | 15 | (2) 14 x 20 x 1 |
| TDD2B080A9V3VA | 3 | 63,000 | 41,600 | 80.0 | 4 | Silicon Nitride | 40 x 17½ x 28 | 146 | 15 | (2) 14 x 20 x 1 |
| TDD2C100A9V5VA | 5 | 81,000 | 52,000 | 80.0 | 4 | Silicon Nitride | 40 x 21 x 28 | 166 | 20 | (2) 16 x 20 x 1 |
| TDD2D120A9V5VA | 5 | 95,000 | 62,400 | 80.0 | 4 | Silicon Nitride | 40 x 24½ x 28 | 197 | 20 | (2) 16 x 20 x 1 |

Note: Variable speed furnaces should not be twinned and are not approved for twinning applications.

① Model has high efficiency blower assembly.

② This furnace family uses a two speed draft inducer.

③ Isolated Combustion System.

* Information subject to change. Please confirm with current Product Data/Service Facts for current factory production.

** For Upflow furnaces, the size is for a bottom return filter.



**XV80
Downflow**

XC80, XV80 Convertible Gas Furnaces

Table FUR-16-A — Features

| | XC80 TUD2 TDD2 2-Stage ^① | XV80 TUD-9V TDD-9V 2-Stage ^① |
|--|--|--|
| • Service diagnostics with faults reported at the user interface..... | ✓ | — |
| • ComfortLink™ II system..... | ✓ | — |
| • Can be connected in communicating or 24V non-communicating modes..... | ✓ | — |
| • User interface for system configuration - Easy to use navigation buttons and plain text for clear description of features..... | ✓ | — |
| • 3-way vent option on downflow models (top,right or left) (downflow models only)..... | — | ✓ |
| • 24 volt secondary fuse..... | — | ✓ |
| • Variable speed ECM blower motor*..... | ✓ | ✓ |
| • Comfort-R™ enhanced mode (cooling)..... | ✓ | ✓ |
| • Meets requirements for 2% or less air leakage..... | ✓ | ✓ |
| • Adjustable heating fan off timing..... | ✓ | ✓ |
| • Alternate bottom/left/right return air (upflow models only)..... | ✓ | ✓ |
| • Attractive color accents..... | ✓ | ✓ |
| • Blower door safety switch..... | ✓ | ✓ |
| • Bottom Panel (upflow models only)..... | ✓ | ✓ |
| • Cleanable/reusable high velocity filters..... | ✓ | ✓ |
| • Common vent capability..... | ✓ | ✓ |
| • Complete front service access..... | ✓ | ✓ |
| • Gasketed blower door..... | ✓ | ✓ |
| • Heavy gauge reinforced wrap-around steel cabinet..... | ✓ | ✓ |
| • Horizontal left/right without conversion required..... | ✓ | ✓ |
| • Humidifier/EAC hook-up capability..... | ✓ | ✓ |
| • Inner blower door panel (downflow models only)..... | ✓ | ✓ |
| • Insulated blower compartment 4 sides (upflow models only)..... | ✓ | ✓ |
| • Integrated solid state control w/self diagnostics..... | ✓ | ✓ |
| • Left/right gas connection..... | ✓ | ✓ |
| • Manual reset flame roll out switches..... | ✓ | ✓ |
| • Masonry Chimney Venting w/BAYVENT800B (upflow models)..... | ✓ | ✓ |
| • Multi-port in shot burners..... | ✓ | ✓ |
| • Perfect fit door latches (upflow models only)..... | ✓ | ✓ |
| • Right or left hand side knock out for venting (downflow models only)..... | ✓ | ✓ |
| • Selectable cooling fan off delay eliminates need for time delay relay..... | ② | ✓ |
| • Service diagnostic capabilities..... | ✓ | ✓ |
| • Side return starter tabs (upflow models only)..... | ✓ | ✓ |
| • Silicon Nitride hot surface igniter with adaptive heat up..... | ✓ | ✓ |
| • Single door filter access..... | ✓ | ✓ |
| • Slide out blower assembly..... | ✓ | ✓ |
| • 20 gauge aluminized steel heat exchanger..... | ✓ | ✓ |
| • Four heating blower speeds..... | ✓ | ✓ |
| • Two speed venter motor..... | ✓ | ✓ |
| • Two-stage gas valve..... | ✓ | ✓ |
| • Limited lifetime heat exchanger warranty & 10-year on all other functional parts with registration (Residential Use)③..... | ✓ | ✓ |
| • Optional extended warranties available..... | ✓ | ✓ |

Note: Variable speed furnaces should not be twinned and are not approved for twinning applications.

① Variable Speed

② Selectable through thermostat

③ Registered Limited Warranty terms are available when you register within 60 days of installation. You can register online at Trane.com or by phone at 855-260-2975, otherwise Trane's Base Limited Warranty terms will apply. Base Limited Warranty information on specific products can be found on ComfortSite.com.

*Constant airflow ECM (electronically commutated motor).



XC80, XV80 Convertible Gas Furnaces

Table FUR-17-A — Optional Accessories

| Model Number | Description | Shipping Weight | XC80 TUD2 TDD2 2 Stage ^③ | XV80 TUD-R-V-K TDD-R-V-F 2 Stage ^③ |
|-------------------------------|---|-----------------|--|--|
| BAYBASE205..... | Downflow subbase for downflow models only | 8..... | ✓ | ✓ |
| BAYFLTR200..... | Side Filter Rack (External) | 5..... | ✓ | ✓ |
| BAYFLTR206..... | Filter Access Door Kit (Downflow only) | 2..... | ✓ | ✓ |
| BAYFLTR321 ^① | Cleanable filter for 21" cabinet upflow only | 2..... | ✓ | ✓ |
| BAYFLTR324 ^① | Cleanable filter for 24.5" cabinet upflow only | 2..... | ✓ | ✓ |
| BAYLPKT210B..... | Propane conversion kit..... | 1..... | ✓ | ✓ |
| BAYLPSS210B..... | LP Kit with Stainless Steel Burners..... | 1..... | ✓ | ✓ |
| BAYRACK960A ^② | Filter Rack Kit for upflow models only (internal) | 5..... | ✓ | ✓ |
| BAYVENT800B..... | Masonry chimney vent kit for upflow models only | 2..... | ✓ | ✓ |

Note: Variable speed furnaces should not be twinned and are not approved for twinning applications.

- ① Contains one (1) high velocity filter.
- ② Internal filter rack for side or bottom return air. Includes 17 x 25" cleanable filter for use in side return applications. Bottom return applications require different sizes of filters which are not included. Airflow requirements over 1800 CFM require filters on both sides or a side and bottom or bottom only.
- ③ Variable Speed

Furnaces

Ordering Information

Variable and Non-Variable Speed High Efficiency Oil Furnaces

Trane Oil Furnaces are available from your local distributor.

For availability and support, contact your local distributor.

Furnaces



L8V1 - Single Stage, Variable Speed, Ultra-Low NOx Gas Furnace



Table FUR-19-A — L8V1 - Single Stage, Variable Speed, Ultra-Low NOx Furnace

| Model Number | Airflow in Tons | Output (BTUH) | ICS AFUE | Flue Size (in.) | Ignition Device | Uncrated Dimensions (in.) | | | Shipping Weight (lbs.) | Max. Fuse | Filter Sizes |
|----------------|-----------------|---------------|----------|-----------------|-----------------|---------------------------|--------------------------------|--------------------------------|------------------------|-----------|--------------|
| | | | | | | H | W | D | | | |
| L8V1A040U3VSAA | 3 | 31,700 | 80 | 4 | Silicon Nitride | 34 | 14 ¹ / ₂ | 28 ³ / ₄ | 100 | 15 | 14 x 25 x 1 |
| L8V1A060U3VSAA | 3 | 48,100 | 80 | 4 | Silicon Nitride | 34 | 14 ¹ / ₂ | 28 ³ / ₄ | 110 | 15 | 14 x 25 x 1 |
| L8V1B080U4VSAA | 4 | 63,000 | 80 | 4 | Silicon Nitride | 34 | 17 ¹ / ₂ | 28 ³ / ₄ | 123 | 15 | 16 x 25 x 1 |
| L8V1C100U5VSAA | 5 | 80,200 | 80 | 4 | Silicon Nitride | 34 | 21 | 28 ³ / ₄ | 146 | 15 | 20 x 25 x 1 |

L8X1 - Single Stage, Ultra-Low NOx Gas Furnace



Table FUR-19-B — L8X1 - Single Stage, Ultra-Low NOx Gas Furnace

| Model Number | Airflow in Tons | Output (BTUH) | ICS AFUE | Flue Size (in.) | Ignition Device | Uncrated Dimensions (in.) | | | Shipping Weight (lbs.) | Max. Fuse | Filter Sizes |
|----------------|-----------------|---------------|----------|-----------------|-----------------|--------------------------------|--------------------------------|----|------------------------|-----------|--------------|
| | | | | | | H | W | D | | | |
| L8X1A055U3XSAC | 3 ^① | 44,000 | 80.0 | 4 | Silicon Nitride | 34 ¹ / ₂ | 14 ¹ / ₅ | 28 | 107 | 15 | 14 x 25 x 1 |
| L8X1B070U4XSAC | 4 | 56,000 | 80.0 | 4 | Silicon Nitride | 34 ¹ / ₂ | 17 ¹ / ₂ | 28 | 135 | 15 | 16 x 25 x 1 |



Table FUR-19-C — L8X1 - Single Stage, Ultra-Low NOx Gas Furnace

| Model Number | Airflow in Tons | Nominal Output (BTUH) | ICS AFUE | Flue Size (in.) | Ignition Device | Uncrated Dimensions (in.) | | | Shipping Weight (lbs.) | Max. Fuse | Filter Sizes |
|----------------|-----------------|-----------------------|----------|-----------------|-----------------|---------------------------|--------------------------------|--------------------------------|------------------------|-----------|--------------|
| | | | | | | H | W | D | | | |
| L8X1B060U3XSAA | 3 | 48,000 | 80.0 | 4 | Silicon Nitride | 34 | 17 ¹ / ₂ | 28 ³ / ₄ | 118 | 15 | 16 x 25 x 1 |
| L8X1B080U4XSAA | 4 | 64,000 | 80.0 | 4 | Silicon Nitride | 34 | 17 ¹ / ₂ | 28 ³ / ₄ | 125 | 15 | 16 x 25 x 1 |

① Special consideration should be taken in duct design, evaporator coil selection/pressure drop, and air filter selection to achieve 350 CFM/ton at 0.5" external static pressure.

Table FUR-19-D — Features

| | L8X1A055 L8X1B070 | L8X1B060 L8X1B080 | L8V1 |
|--|----------------------|----------------------|------|
| • Cabinet height (in.)..... | 34.5 | 34.0 | 34.0 |
| • 3-Way poise (Upflow, Horizontal Left, Horizontal Right)..... | ✓ | ✓ | ✓ |
| • Cabinet has no knockouts..... | — | ✓ | ✓ |
| • Single stage..... | ✓ | ✓ | ✓ |
| • 5 speed, Constant Torque ECM blower motor..... | ✓ | ✓ | — |
| • High Efficiency, Variable Speed blower motor..... | — | — | ✓ |
| • Stainless Steel, Tubular heat exchanger..... | — | ✓ | ✓ |
| • Aluminized Steel, Tubular heat exchanger..... | ✓ | — | — |
| • Insulated blower compartment..... | ✓ | ✓ | ✓ |
| • Vortica™ II Blower Housing..... | — | ✓ | ✓ |
| • Meets requirements for 1% or less cabinet air leakage ^② | — | ✓ | ✓ |
| • Silicon Nitride hot surface igniter..... | ✓ | ✓ | ✓ |
| • 20-year limited warranty on the heat exchanger and 10-year on all other functional parts with registration*..... | ✓ | ✓ | — |
| • Limited lifetime warranty on the heat exchanger & 10-year on all other functional parts with registration*..... | — | — | ✓ |

② L8X1A055, L8X1B070, L8X1C100 models certified to 2% cabinet air leakage

* Registered Limited Warranty terms are available when you register within 60 days of installation. You can register online at Trane.com or by phone at 855-260-2975, otherwise Trane's Base Limited Warranty terms will apply. Base Limited Warranty information on specific products can be found on ComfortSite.com.

Table FUR-19-E — Optional Accessories

| Model Number | Description | L8X1A055 L8X1B070 | L8X1B060 L8X1B080 | L8V1 |
|----------------|----------------------------------|----------------------|----------------------|------|
| BAYSPACER..... | 6 inch vertical coil spacer..... | ✓ | — | — |

Table FUR-19-F — High Altitude Kits

| Model Number | Description | Used With |
|----------------|---|------------|
| BAYHALTMOD0001 | High Altitude Kit for units installed between 5400 - 7800 ft. | L8X1B060U3 |
| BAYHALTMOD0002 | High altitude kit for units installed between 2000 - 7800 ft. | L8X1B080U4 |
| BAYHALTMOD0004 | High altitude kit for units installed between 4001 - 7800 ft. | L8V1C100U5 |
| BAYHALTMOD0005 | High altitude kit for units installed between 4001 - 7800 ft. | L8V1A040U3 |
| BAYHALTMOD0006 | High altitude kit for units installed between 4001 - 7800 ft. | L8V1A060U3 |
| BAYHALTMOD0007 | High altitude kit for units installed between 4001 - 7800 ft. | L8V1B080U4 |

L9X1 - Single Stage, Ultra-Low NOx Gas Furnace



L9X1

Table FUR-20-A — L9X1 - Single Stage, Ultra-Low NOx Gas Furnace

| Model Number | Airflow in Tons | Output (BTUH) | ICS AFUE | Flue Size (in.) | Ignition Device | Uncrated Dimensions (in.) | | | Shipping Weight (lbs.) | Max. Fuse | Filter Sizes |
|----------------|-----------------|---------------|----------|-----------------|-----------------|---------------------------|-----|----|------------------------|-----------|--------------|
| | | | | | | H | W | D | | | |
| L9X1A050U3VSAB | 3 | 48,000 | 95 | 2, 3, 4 | Silicon Nitride | 34½ | 14¼ | 28 | 115 | 15 | 14 x 25 x 1 |
| L9X1B070U4VSAB | 4 | 67,000 | 95 | 2, 3, 4 | Silicon Nitride | 34½ | 17½ | 28 | 133 | 15 | 16 x 25 x 1 |
| L9X1C100U5VSAB | 5 | 95,000 | 95 | 2, 3, 4 | Silicon Nitride | 34½ | 21 | 28 | 150 | 20 | 20 x 25 x 1 |

Table FUR-20-B — Features

| | L9X1 |
|--|------|
| • 9 speed, Constant Torque ECM blower motor | ✓ |
| • 34.5" Cabinet height | ✓ |
| • 3-Way Poise (Upflow, Horizontal Left, Horizontal Right)..... | ✓ |
| • Single Stage Operation | ✓ |
| • Aluminized steel, tubular primary heat exchanger | ✓ |
| • Stainless steel secondary heat exchanger | ✓ |
| • Insulated blower compartment..... | ✓ |
| • Meets 14 ng/J NOx emission requirements | ✓ |
| • Meets requirements for 2% or less cabinet air leakage | ✓ |
| • Limited Lifetime heat exchanger warranty & 10-year on all other functional parts with registration (Residential Use)..... | ✓ |

* Registered Limited Warranty terms are available when you register within 60 days of installation. You can register online at Trane.com or by phone at 855-260-2975, otherwise Trane's Base Limited Warranty terms will apply. Base Limited Warranty information on specific products can be found on ComfortSite.com.

Table FUR-20-C — Optional Accessories

| Model Number | Description | Used With |
|----------------|--|---------------------------|
| BAYSPACER | 6 inch vertical coil spacer | L9X1 Furnaces |
| BAYHANG | Horizontal hanging kit | All Upflow Furnaces |
| BAYVENT200B | Sidewall Vent Termination Kit | All Condensing Furnaces |
| BAYAIR30AVENTA | Concentric Vent Kit | All Condensing Furnaces |
| BAYLIFTC | Dual Return Kit (C size extension) | C Cabinet Upflow Furnaces |
| BAYCNDTRAP2A | Inline Condensate Trap Kit used with Special Venting on 2" Vent Pipe | All Condensing Furnaces |
| BAYCNDTRAP3A | Inline Condensate Trap Kit used with Special Venting on 3" Vent Pipe | All Condensing Furnaces |

